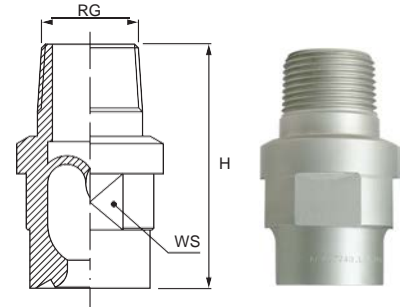
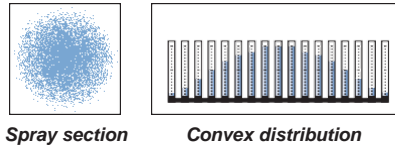


S-TYPE VANE

AL nozzles offer distinctive advantages due to their special construction, with an integrated S-shaped vane cast in one piece with the nozzle body with an investment casting process. The special design S-shaped vane offers the largest free passage available in a full cone nozzle (actually identical to the nozzle orifice diameter) and can easily handle dirty or recirculated liquids as well as suspended particles to avoid clogging. The best reliability is then assured under the most difficult conditions, which makes these nozzles the right choice in those plants with nozzle clogging problems or where removing and cleaning a clogged nozzle is a difficult job.



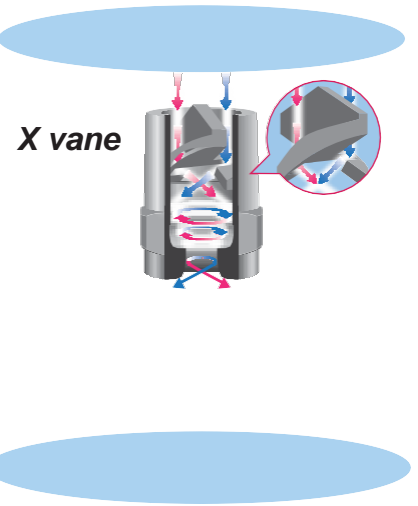
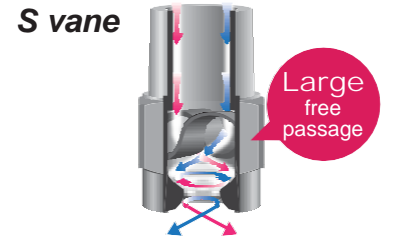
■ Thread specification: BSPT, NPT



ALQ 60°	ALU 90°	ALW 120°	Code	RF inch	D mm	Capacity at different pressure values (l/min) (bar)							
						0.2	0.3	0.5	0.7	1.0	2.0	3.0	5.0
•	•	•	1927 xx	3/8"	3.18	2.60	3.14	3.99	4.68	5.53	7.66	9.27	11.8
•	•	•	2147 xx		3.97	4.13	4.99	6.35	7.43	8.79	12.2	14.7	18.7
•	•	•	2213 xx		4.76	5.96	7.21	9.17	10.7	12.7	17.6	21.3	27.1
•	•	•	2214 xx	1/2"	4.76	5.96	7.21	9.17	10.7	12.7	17.6	21.3	27.1
•	•	•	2339 xx		5.56	9.48	11.5	14.6	17.1	20.2	28.0	33.9	43.0
•	•	•	2380 xx		6.35	10.7	12.9	16.4	19.2	22.7	31.4	38.0	48.4
•	•	•	2468 xx	3/4"	7.14	13.1	15.8	20.1	23.6	27.9	38.6	46.8	59.4
•	•	•	2566 xx		7.94	15.9	19.2	24.4	28.6	33.8	46.8	56.6	72.0
•	•	•	2694 xx		8.73	19.4	23.5	29.9	35.0	41.4	57.3	69.4	88.2
•	•	•	2818 xx		9.53	22.9	27.7	35.2	41.3	48.8	67.6	81.8	104
•	•	•	2819 xx	1"	9.53	22.9	27.7	35.2	41.3	48.8	67.6	81.8	104
•	•	•	2980 xx		10.3	27.5	33.2	42.2	49.2	58.5	81.0	98.0	125
•	•	•	3115 xx		11.1	32.1	38.8	49.4	57.8	68.4	94.7	115	146
•	•	•	3116 xx	1 1/4"	11.1	32.1	38.8	49.4	57.8	68.4	94.7	115	146
•	•	•	3148 xx		12.7	41.3	49.9	63.5	74.3	87.9	122	148	187
•	•	•	3164 xx		13.5	45.8	55.4	70.5	82.5	97.6	135	164	208
•	•	•	3179 xx		14.3	50.2	60.8	77.3	90.5	107	148	179	228
•	•	•	3180 xx	1 1/2"	13.97	50.2	60.8	77.3	90.5	107	148	179	228
•	•	•	3205 xx		15.1	57.3	69.3	88.1	103	122	169	205	260
•	•	•	3218 xx		15.9	61.0	73.8	93.9	110	130	180	218	277
•	•	•	3265 xx		16.7	74.2	89.7	114	134	158	219	265	337
•	•	•	3278 xx	2"	17.5	77.9	94.3	120	140	166	230	278	354
•	•	•	3339 xx		19.1	94.8	115	146	171	202	280	339	430
•	•	•	3370 xx		20.6	104	126	160	187	221	306	370	471
•	•	•	3458 xx		22.2	129	155	197	231	273	378	458	582
•	•	•	3513 xx	2 1/2"	23.8	144	174	221	259	306	424	513	652
•	•	•	3600 xx		25.4	168	203	259	303	358	496	600	763
•	•	•	3736 xx		28.6	206	249	317	371	439	608	736	935
•	•	•	3601 xx		3"	25.4	168	203	259	303	358	496	600
•	•	•	3737 xx	28.6		206	249	317	371	439	608	736	935
•	•	•	3883 xx	31.5		247	299	381	446	527	730	883	1120
•	•	•	4106 xx	34.9		297	359	456	535	632	875	1060	1350
•	•	•	4123 xx	4"	38.1	363	440	559	655	774	1070	1230	1650
•	•	•	4124 xx		37.1	363	440	559	655	774	1070	1230	1650
•	•	•	4153 xx		41.3	428	517	658	770	911	1260	1530	1940
•	•	•	4174 xx		44.5	488	591	751	880	1040	1440	1740	2220
•	•	•	4175 xx	4"	44.5	488	591	751	880	1040	1440	1740	2220
•	•	•	4196 xx		47.6	549	664	845	989	1170	1620	1960	2490
•	•	•	4230 xx		49.8	643	778	989	1160	1370	1900	2300	2920
•	•	•	4256 xx		54.0	718	869	1100	1290	1530	2120	2560	3260
•	•	•	4278 xx	57.2	779	943	1200	1400	1660	2300	2780	3540	

S vane v.s. X vane

S-type vanes provide a large free passage of liquids through the nozzle, with nearly the same diameter of a spray tip. Therefore they offer the widest possible passage and the highest resistance to clogging among all full-cone spray nozzles with internal vane.



HOW TO MAKE UP THE NOZZLE CODE

EX.: ALU 1927 B31

