

Haws®

8300 AXION MSR™ COMBINATION EYE / FACE WASH & DRENCH SHOWER

- ✓ 1 1/4"G
- ^ 1 1/4"G
- ☒ 20 kg
- ♿ No
- S CH
- Z Z535.1

- AXION MSR™ shower head (SP829)
- AXION MSR™ eye / facewash (SP65)
- 11" catch basin made of stainless steel (SP90)
- Strainer SP509
- Stainless steel push flag valve (SP225)
- Foot control assembly (SP220)
- Stay open valve (SP260)
- High visibility stripe (SP185)
- Floor flange (SP75)
- Combination emergency shower & eyewash sign (SP178).
- Stainless steel push rod (SP200)
- Test tag (SP170)
- SP829B Green plastic bell for use with the AXION SP829 nozzle.
- Flow control valve (SP37.5)
- Strainer-repair kit (VRKEWSTR) for spare part SP509



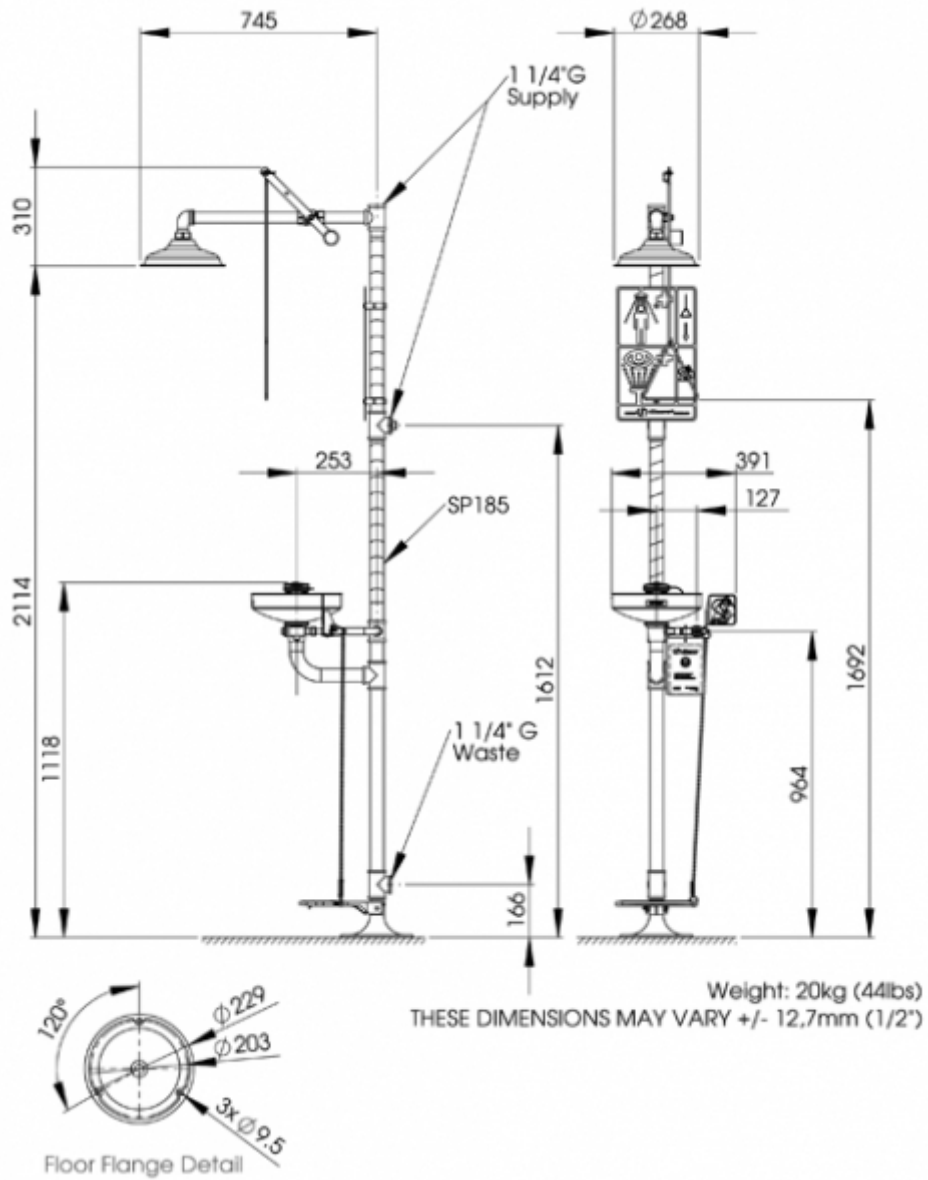
PNR UK Ltd

28a Harris Business Park, Stoke Prior, Bromsgrove, B60 4DJ

www.pnr.co.uk | spraynozzles@pnr.co.uk | +44(0)1527 579 066

Co. Reg. 2306776

V.A.T. Reg. No. 488 0643 16



PNR UK Ltd

28a Harris Business Park, Stoke Prior, Bromsgrove, B60 4DJ

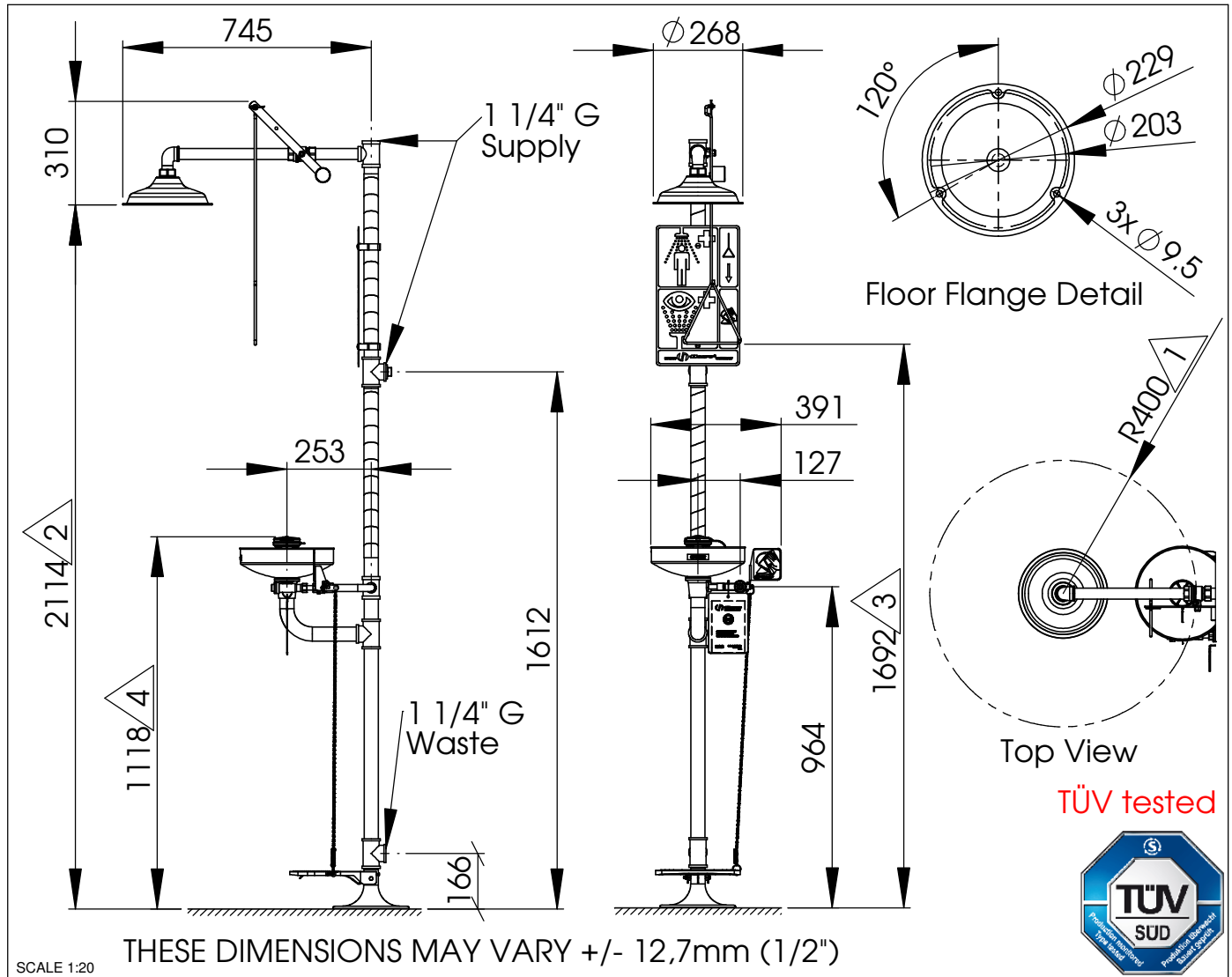
www.pnr.co.uk | spraynozzles@pnr.co.uk | +44(0)1527 579 066

Co. Reg. 2306776

V.A.T. Reg. No. 488 0643 16

Model 8300 Axion Combination Shower and Eye Wash No.2080162/2

NOTE TO INSTALLER: please leave this information with the maintenance department.


Legally-stipulated dimensions:

1. There must be a minimum clearance radius of 400 mm / 1' 3 3/4" (not counting operating controls and eyewasher units) between a vertical line running down from the shower head and the nearest obstacle (wall, vertical inlet pipe or similar).
2. Height above floor level: 2100mm - 2300mm (6' 10 1/2" - 7' 6 1/2").
3. The operating controls must be no higher than 1750mm (5' 9") above floor level (while conforming to local regulations).
4. Height above floor level: 800mm - 1200mm (2' 7 1/2" - 3' 11 1/4").

Free access to the eyewash station/body shower 8300 Axion must be guaranteed at all times. The operator is responsible for the observance of this requirement.



Model **8300 Axion** Combination Shower and Eye Wash No.2080162/2

Shower location: The eyewash station/body shower 8300 Axion must be installed in the vicinity of potential danger zones. It must be highly visible and easily accessible.

Connection conduit: You are recommended to use a 1 1/4" G conduit, capable of withstanding pressures of 2 - 6BAR (30 - 90PSI). The use of an inlet filter designed to prevent the entry of suspended particles and other impurities is also recommended.

Water quality: Eyewash stations/body shower require a supply of drinking water conforming to European standards or their equivalents in other countries.

Water temperature: The required water temperature should be determined the user. The accepted ideal range is 15 - 35°C / 60 - 95°F (but please ensure conformity with local regulations).

Volume flow: A minimum flow rate of 60 litres / 15,8 US gallons per minute must be maintained for the body shower. A minimum flow rate of 6 litres / 1,6 US gallons per minute must be maintained for the eyewash station. The eyewash station/body shower must be capable of delivering this amount of water for at least 15 minutes.

Connection to plumbing: The inlet consists of a 1 1/4" G conduit with female-thread adapter. The outlet is likewise a 1 1/4" G female-thread conduit.

Regular inspection:

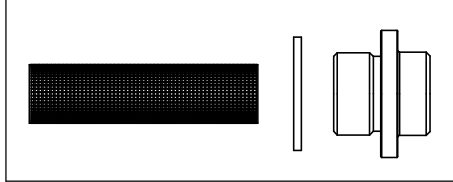
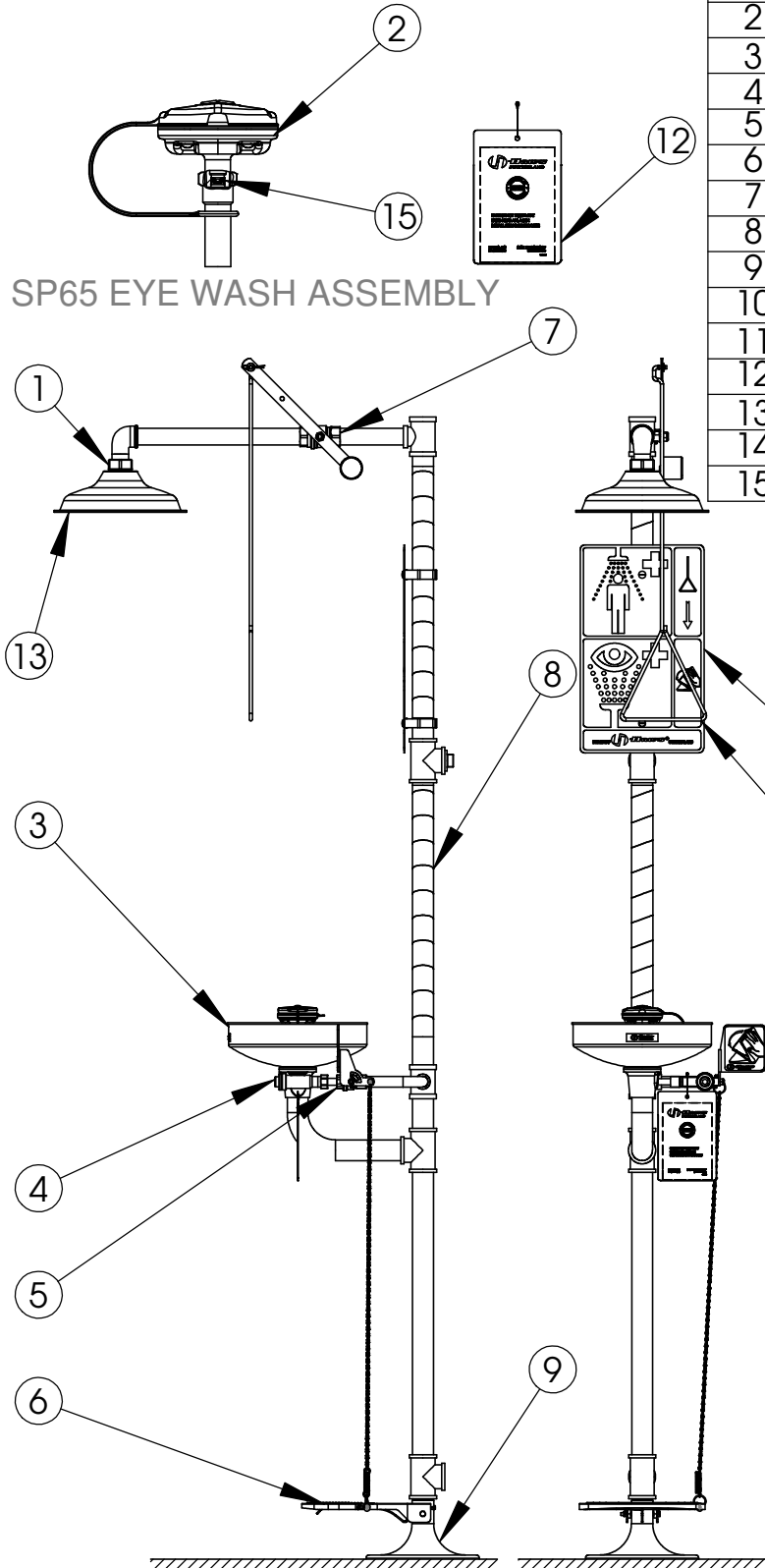
The eyewash station/body shower 8300 Axion should be inspected at weekly intervals. The inspection tag should be dated and signed after each check.

TROUBLESHOOTING	
Problem	Repair-checklist
1. No flow	Check the main shutoff valve.
2. Insufficient flow of water	1. Check the line pressure. This should be at least 2 BAR / 30 PSI (dynamic). 2. Blocked flow, possibly due to the conduit not being correctly flushed out. Dismantle the flow-control element, and clean the filter insert.
3. Flow rate is not as specified	The flow conduit may be blocked (for remedy, see above). The eyewash station may not have been set up correctly.
4. Water does not discharge correctly	Check the building's main drainage outlet. Note that it must have adequate capacity to handle the entire drainage system.
5. Loose connections or fittings	Tighten any loose connection elements. The application of hot water sometimes makes it easier to put slightly-misaligned connection elements back into place. If the join is still leaking after 30 minutes, the assembly must be dismantled and re-sealed.

PARTS BREAKDOWN

ITEM	PART NU.	DESCRIPTION
1	SP829	Axion shower head
2	SP65	Axion eye/face wash head
3	SP90	Bowl
4	SP509	Strainer
5	SP225	Valve assembly
6	SP220	Foot trade assembly
7	SP260	Valve assembly
8	SP185	Stripe tape
9	SP75	Floor flange
10	SP178	Shower sign
11	SP200	Pull rod
12	SP170	Test Tag
13	SP829B	Shower bell
14	VRKEWSTR	Repair Kit for SP509
15	SP37.5	Flow control

SP65 EYE WASH ASSEMBLY



TÜV tested



PARTS BREAKDOWN

WHEN ORDERING PARTS PLEASE SPECIFY YOUR MODEL NUMBER

APPROVALS	DATE
DRAWN Jeannine Ruf	17.09.2010
CHECKED Jeannine Ruf	17.09.2010
REVISED Jeannine Ruf	21.10.2011
DRAW-NO.	
ECN NO.	



T +41 (0)34 420 60 00 CH3401 BURGENDORF SWITZERLAND www.haws.ch info@haws.ch

TITLE
8300 Axion
Combination Shower and Eye Wash

MATERIAL

SIZE PART NO. A4 2080162/2 REV. SHEET 4 OF 4

ZONE	REV	DESCRIPTION	ECN	DATE	BY
REVISIONS					
THIS DOCUMENT AND THE DATA DISCLOSED HEREIN OR HEREWITH IS NOT TO BE REPRODUCED, USED, OR DISCLOSED IN WHOLE OR IN PART TO ANYONE WITHOUT THE PERMISSION OF HAWS CORPORATION.					