

**Haws®**

---

## 8300FP AXION MSR™ COMBINATION EYE / FACE WASH & DRENCH SHOWER Freeze Proof

- ✓ 1 1/4"G / 3/4"G
- ^ 1 1/4"G
- Ⓛ 34 kg
- ♿ No
- Ⓢ CH
- Ⓩ Z535.1

- AXION MSR™ shower head (SP829)
- Combination emergency shower & eyewash sign (SP178).
- Floor flange (SP75)
- 1" Freeze proof valve (MK8A)
- 1 1/4" freeze proof valve (MK81A)
- Single motion push plate, for freeze-resistant valves MK8A und MK81A (SP218)
- Check valve for freeze-resistant valves MK8A und MK81A. (SP82)
- Eye / face shower head (SP65CTFP)
- Test tag (SP170)
- 11" catch basin (SP90)
- High visibility stripe (SP185)



---

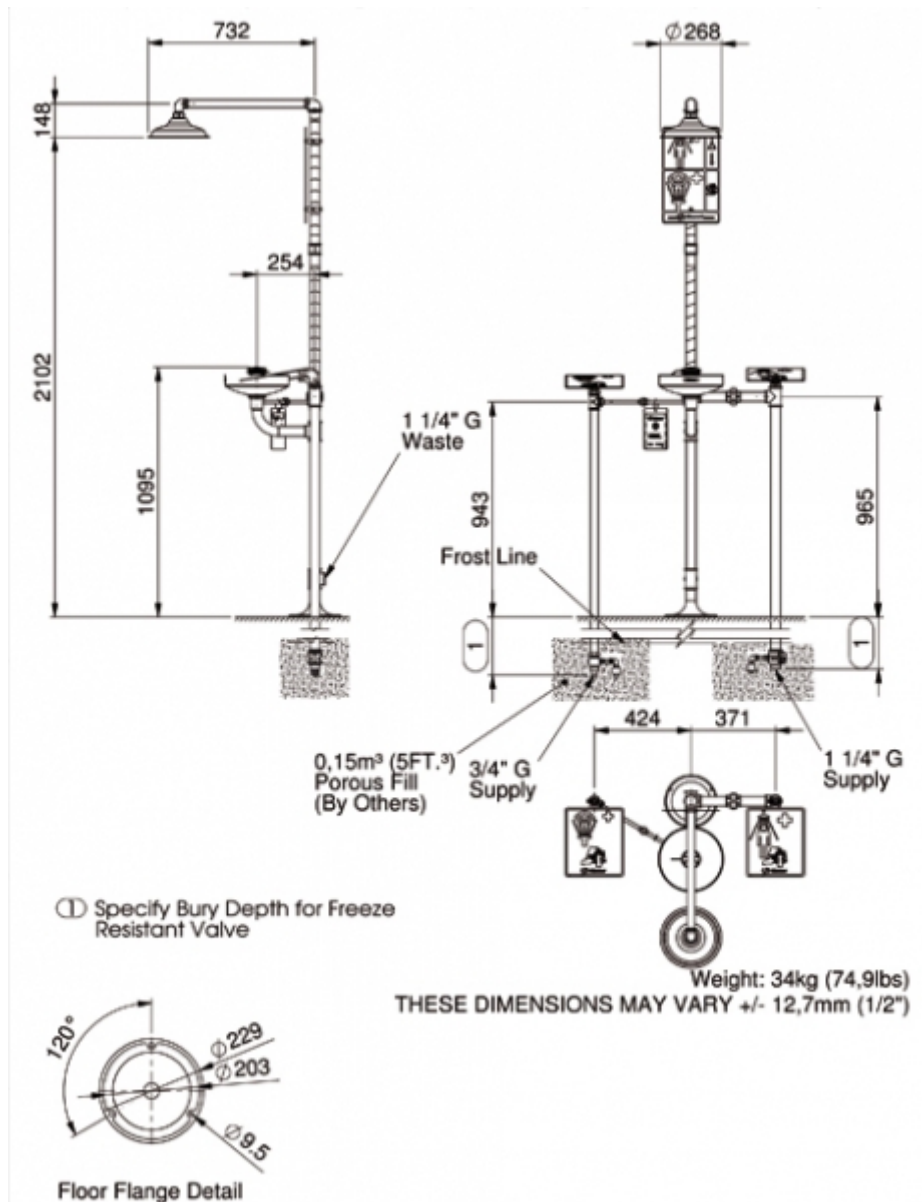
**PNR UK Ltd**

28a Harris Business Park, Stoke Prior, Bromsgrove, B60 4DJ

[www.pnr.co.uk](http://www.pnr.co.uk) | [spraynozzles@pnr.co.uk](mailto:spraynozzles@pnr.co.uk) | +44(0)1527 579 066

Co. Reg. 2306776

V.A.T. Reg. No. 488 0643 16



**PNR UK Ltd**

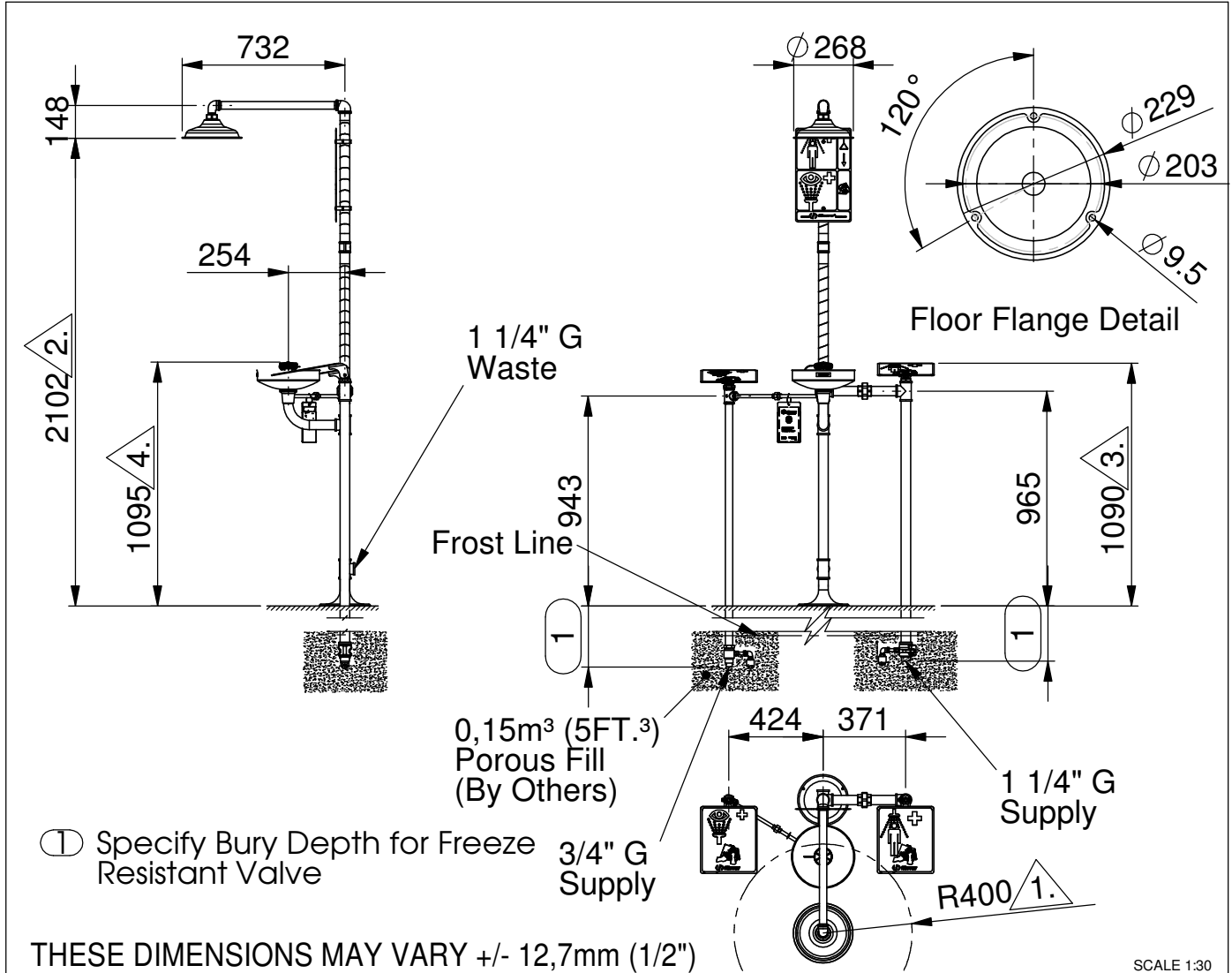
28a Harris Business Park, Stoke Prior, Bromsgrove, B60 4DJ  
[www.pnr.co.uk](http://www.pnr.co.uk) | [spraynozzles@pnr.co.uk](mailto:spraynozzles@pnr.co.uk) | +44(0)1527 579 066

Co. Reg. 2306776

V.A.T. Reg. No. 488 0643 16

**Model 8300FP Axion Eye Wash & Shower Freeze Proof** No.2080163/1

NOTE TO INSTALLER: please leave this information with the maintenance department.


**Legally-stipulated dimensions:**

1. There must be a minimum clearance radius of 400 mm / 1' 3 3/4" (not counting operating controls and eyewasher units) between a vertical line running down from the shower head and the nearest obstacle (wall, vertical inlet pipe or similar).
2. Height above floor level: 2100mm - 2300mm (6' 10 1/2" - 7' 6 1/2").
3. The operating controls must be no higher than 1750mm (5' 9") above floor level (while conforming to local regulations).
4. Height above floor level: 800mm - 1200mm (2' 7 1/2" - 3' 11 1/4").

Free access to the eyewash station/body shower 8300FP Axion must be guaranteed at all times. The operator is responsible for the observance of this requirement.



HAWS AG • Bachweg 3 • CH-3401 Burgdorf • Switzerland • [www.haws.ch](http://www.haws.ch)  
HAWS Corporation • P.O.Box 2070 • 1455 Kleppe Lane • Sparks, Nevada 89431/USA • [www.hawsco.com](http://www.hawsco.com)

## Model **8300FP Axion** Eye Wash & Shower Freeze Proof No.2080163/1

**Shower location:** The eyewash station/body shower 8300FP Axion must be installed in the vicinity of potential danger zones. It must be highly visible and easily accessible.

**Connection conduit:** You are recommended to use a 1 1/4" G conduit, capable of withstanding pressures of 2 - 6BAR (30 - 90PSI). The use of an inlet filter designed to prevent the entry of suspended particles and other impurities is also recommended.

**Water quality:** Eyewash stations/body shower require a supply of drinking water conforming to European standards or their equivalents in other countries.

**Water temperature:** The required water temperature should be determined the user. The accepted ideal range is 15 - 35°C / 60 - 95°F (but please ensure conformity with local regulations).

**Volume flow:** A minimum flow rate of 60 litres / 15,8 US gallons per minute must be maintained for the body shower. A minimum flow rate of 6 litres / 1,6 US gallons per minute must be maintained for the eyewash station. The eyewash station/body shower must be capable of delivering this amount of water for at least 15 minutes.

**Connection to plumbing:** The inlet consists of a 1 1/4" G (Shower) and 3/4 G (Eye Wash) conduit with female-thread adapter. The outlet is likewise a 1 1/4" G female-thread conduit.

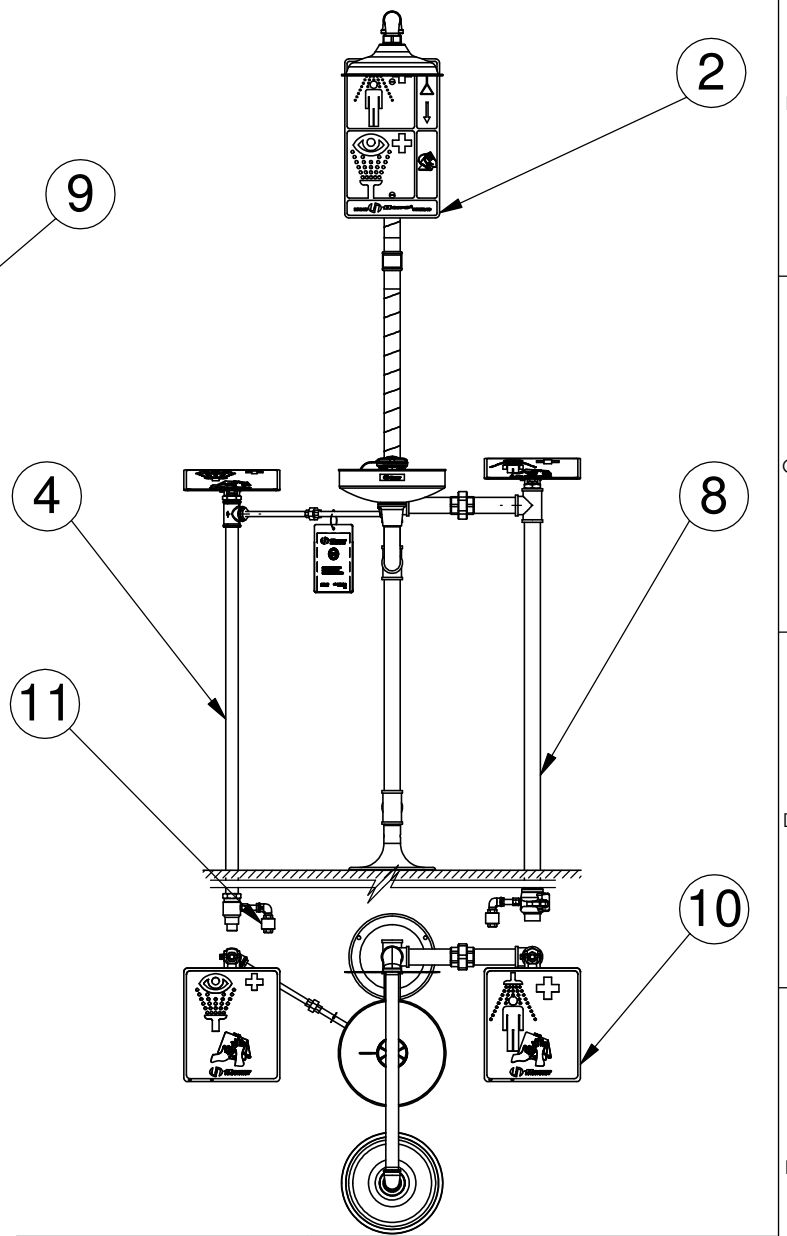
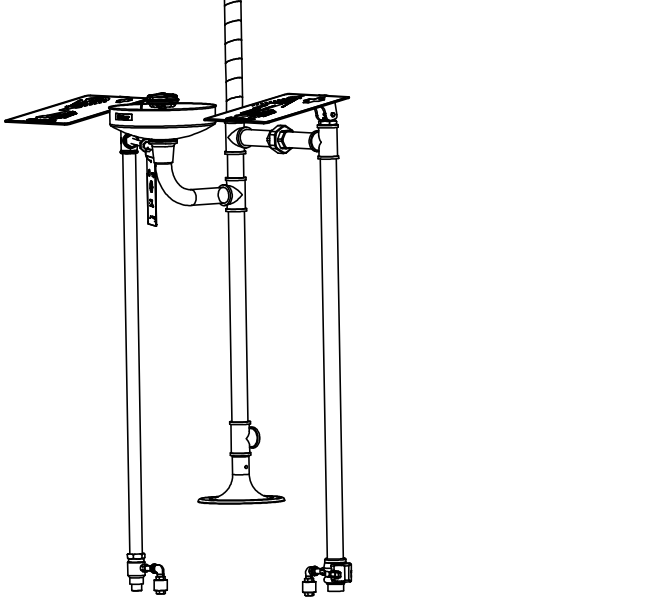
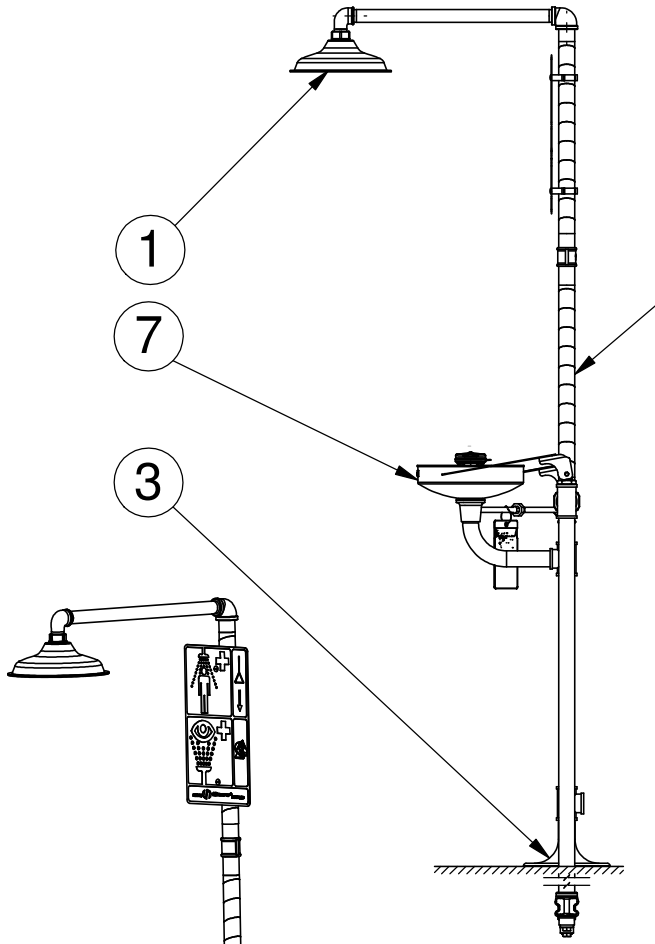
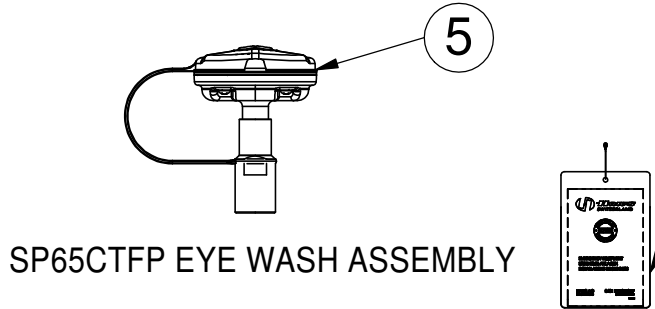
### Regular inspection:

The eyewash station/body shower 8300FP Axion should be inspected at weekly intervals. The inspection tag should be dated and signed after each check.

TROUBLESHOOTING	
Problem	Repair-checklist
1. No flow	Check the main shutoff valve.
2. Insufficient flow of water	1. Check the line pressure. This should be at least 2 BAR / 30 PSI (dynamic). 2. Blocked flow, possibly due to the conduit not being correctly flushed out. Dismantle the flow-control element, and clean the filter insert.
3. Flow rate is not as specified	The flow conduit may be blocked (for remedy, see above). The eyewash station may not have been set up correctly.
4. Water does not discharge correctly	Check the building's main drainage outlet. Note that it must have adequate capacity to handle the entire drainage system.
5. Loose connections or fittings	Tighten any loose connection elements. The application of hot water sometimes makes it easier to put slightly-misaligned connection elements back into place. If the join is still leaking after 30 minutes, the assembly must be dismantled and re-sealed.

# PARTS BREAKDOWN

ITEM	PART NU.	DESCRIPTION
1	SP829	Axion shower head
2	SP178	Shower sign
3	SP75	Floor flange
4	MK8A	Freeze proof valve
5	SP65CTFP	Axion eye/face wash heads
6	SP170	Test tag
7	SP90	Bowl stainless steel
8	MK81A	Freeze proof valve
9	SP185	Stripe tape
10	SP218	Push plate with labels
11	SP82	Drain check valve



<b>PARTS BREAKDOWN</b>			
<b>WHEN ORDERING PARTS PLEASE SPECIFY YOUR MODEL NUMBER</b>		T +41 (0)34 420 60 00 F +41 (0)34 420 60 01	BACHWEG 3 CH3401 BURGENDORF SWITZERLAND www.haws.ch info@haws.ch
APPROVALS		TITLE	
DATE		8300FP Axion Eye Wash & Shower Freeze Proof	
DRAWN		MATERIAL	
Ralph Streit			
CHECKED		SIZE	
Ralph Streit		PART NO.	
REVISED		A4	
Ralph Streit		2080163/1	
DRAW-NO.		REV.	
ECN NO.		SCALE 1:20	
		SHEET 1 OF 1	

ZONE	REV	DESCRIPTION	ECN	DATE	BY
REVISIONS					
THIS DOCUMENT AND THE DATA DISCLOSED HEREIN OR HEREWITH IS NOT TO BE REPRODUCED, USED, OR DISCLOSED IN WHOLE OR IN PART TO ANYONE WITHOUT THE PERMISSION OF HAWS CORPORATION.					