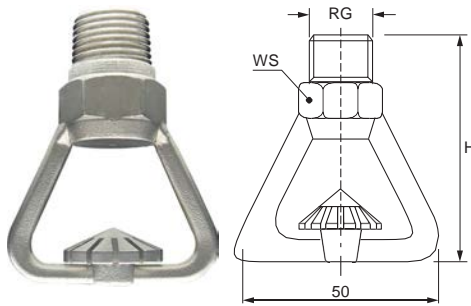
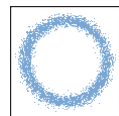


## DEFLECTED SPRAY

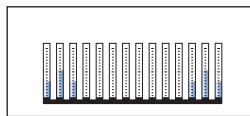
RO hollow cone medium velocity spray nozzles are specially designed for fire-fighting engineering. They produce an excellent water rain and their deflected jet assures a wide spray coverage. The spray pattern is formed by the liquid flowing from the nozzle orifice over the surface of the below deflector with a special slotted design. All RO nozzles are certified by the EU fire regulations.



- **Thread specification:** BSPT, NPT
- **Typical applications**  
**Fire-fighting:** fire extinguishing, cooling  
**Other applications:** tank cleaning, exhaust scrubbers



Spray section



Concave distribution



130°	RO Y 1810 xx yy	1/2"	pressure values							25	65
			3.0	4.8	8.1	10.3	11.3	12.2	14.5		
	ROY 2115 xx yy	inch	3.5	6.7	11.5	14.9	16.4	17.6	20.5	mm	mm
	ROY 2156 xx yy		4.0	9.0	15.6	20.0	22.0	24.0	29.0		
	ROY 2198 xx yy		4.5	11.0	19.8	25.0	28.0	30.0	36.0		
	ROY 2270 xx yy		5.0	15.8	27.0	35.0	39.0	42.0	50.0		
	ROY 2300 xx yy		5.5	18.0	30.0	40.0	44.0	48.0	57.0		
	ROY 2390 xx yy		6.0	23.0	39.0	50.0	55.0	60.0	71.0		
	ROY 2470 xx yy		6.5	27.0	47.0	61.0	66.0	72.0	86.0		
	ROY 2550 xx yy		7.0	31.0	55.0	72.0	77.0	84.0	91.0		
	ROY 2700 xx yy		8.0	41.0	70.0	92.0	103	112	130		
	ROY 2910 xx yy		9.0	52.0	91.0	117	129	140	165		
	ROY 3110 xx yy		10.0	64.0	110	139	152	165	200		
	ROY 3164 xx yy		12.0	95.0	164	214	236	255	290		

130°	RO Y 1811 xx yy	3/4"	pressure values							27	65
			3.0	4.8	8.1	10.3	11.3	12.2	14.5		
	ROY 2116 xx yy	3.5	6.7	11.5	14.9	16.4	17.6	20.5	mm	mm	
	ROY 2157 xx yy	4.0	9.0	15.6	20.0	22.0	24.0	29.0			
	ROY 2199 xx yy	4.5	11.5	19.8	25.0	28.0	30.0	36.0			
	ROY 2271 xx yy	5.0	15.8	27.0	35.0	39.0	42.0	50.0			
	ROY 2301 xx yy	5.5	18.0	30.0	40.0	44.0	48.0	57.0			
	ROY 2391 xx yy	6.0	23.0	39.0	50.0	55.0	60.0	71.0			
	ROY 2471 xx yy	6.5	27.0	47.0	61.0	66.0	72.0	86.0			
	ROY 2551 xx yy	7.0	31.0	55.0	72.0	77.0	84.0	91.0			
	ROY 2701 xx yy	8.0	41.0	70.0	92.0	103	112	130			
	ROY 2911 xx yy	9.0	52.0	91.0	117	129	140	165			
	ROY 3111 xx yy	10.0	64.0	110	139	152	165	200			
	ROY 3165 xx yy	12.0	95.0	164	214	236	255	290			

**COMPLETE NOZZLE CODE**

Code	Connection	Filter material	
		Copper	SS
<b>FB</b>	BSP/BSPT	•	
<b>FN</b>	NPT	•	
<b>GB</b>	BSP/BSPT		•
<b>GN</b>	NPT		•
<b>SN</b>	NPT	NO FILTER	

HOW TO MAKE UP THE NOZZLE CODE  
 EX.: ROY 1810 B31FB

