

Haws®

7620 AXION™ EyePOD™

Faucet mounted

- **Faucet mounted**
- Polished stainless steel, faucet-mounted eyewash



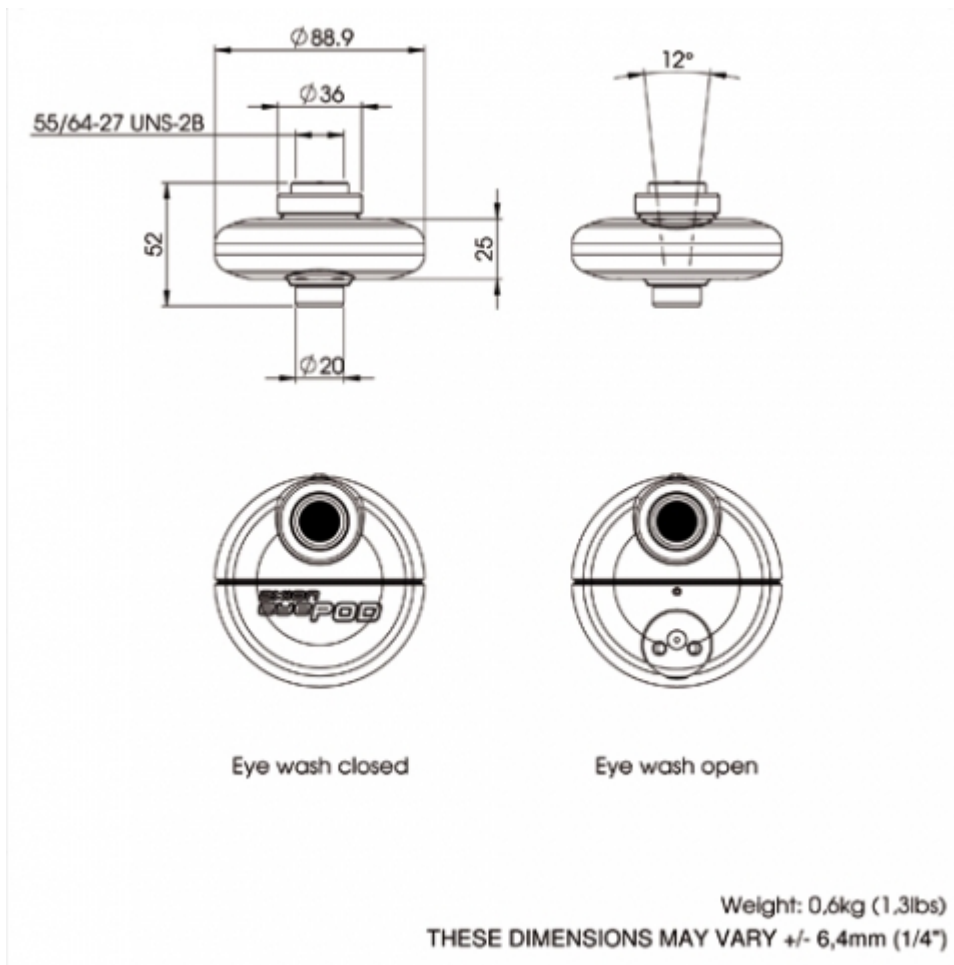
PNR UK Ltd

28a Harris Business Park, Stoke Prior, Bromsgrove, B60 4DJ

www.pnr.co.uk | spraynozzles@pnr.co.uk | +44(0)1527 579 066

Co. Reg. 2306776

V.A.T. Reg. No. 488 0643 16



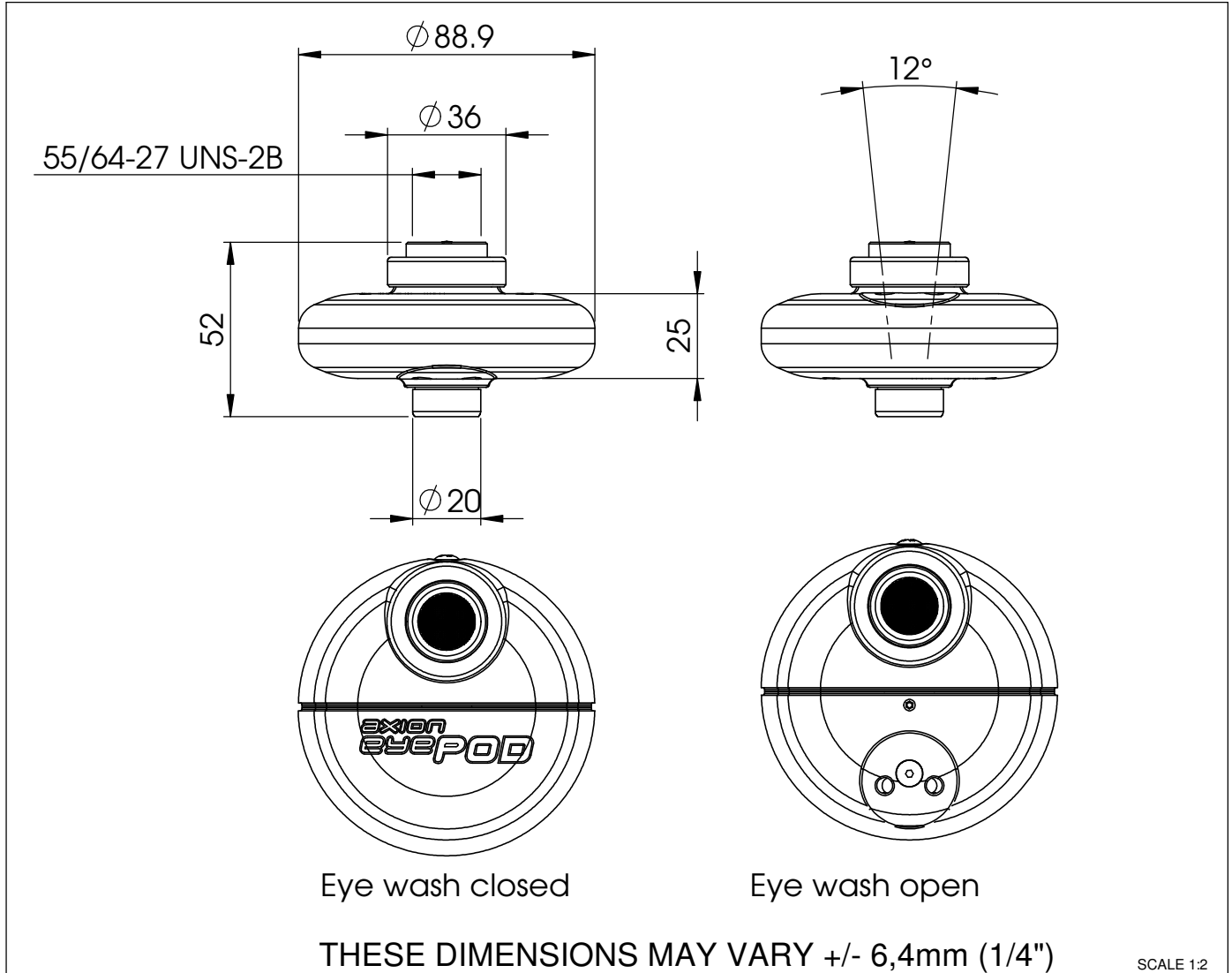
PNR UK Ltd

28a Harris Business Park, Stoke Prior, Bromsgrove, B60 4DJ
www.pnr.co.uk | spraynozzles@pnr.co.uk | +44(0)1527 579 066
Co. Reg. 2306776 V.A.T. Reg. No. 488 0643 16

Model 7620 Axion Eye Wash

No.2080031

NOTE TO INSTALLER: please leave this information with the maintenance department.



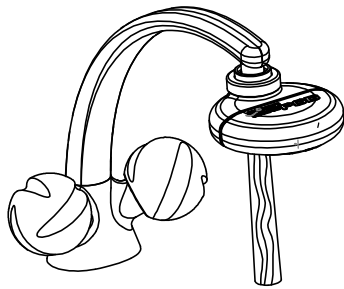
Free access to the eyewash station 7620 Axion must be guaranteed all times. The operator is responsible for the observance of this requirement.



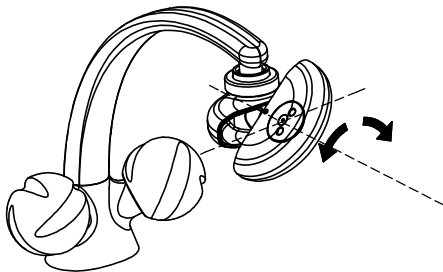
Model 7620 Axion Eye Wash

No.2080031

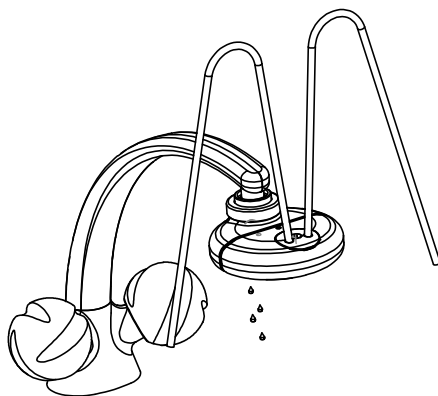
TYPICAL APPLICATION



TURN ON FAUCET



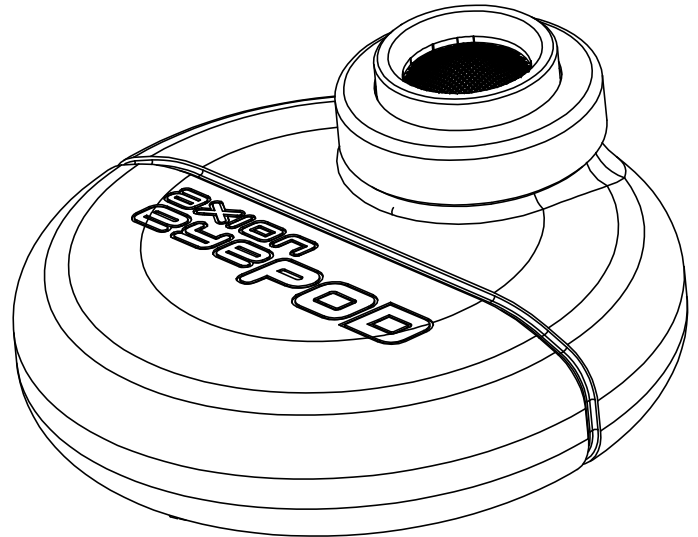
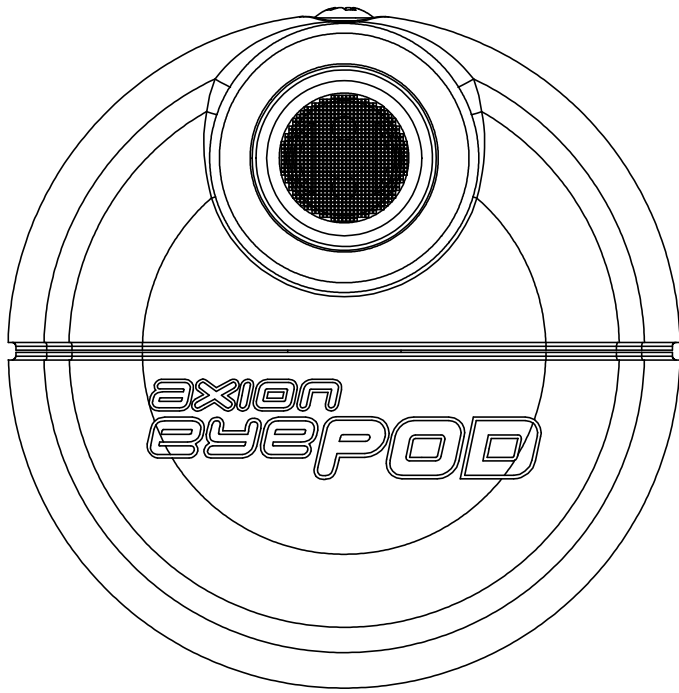
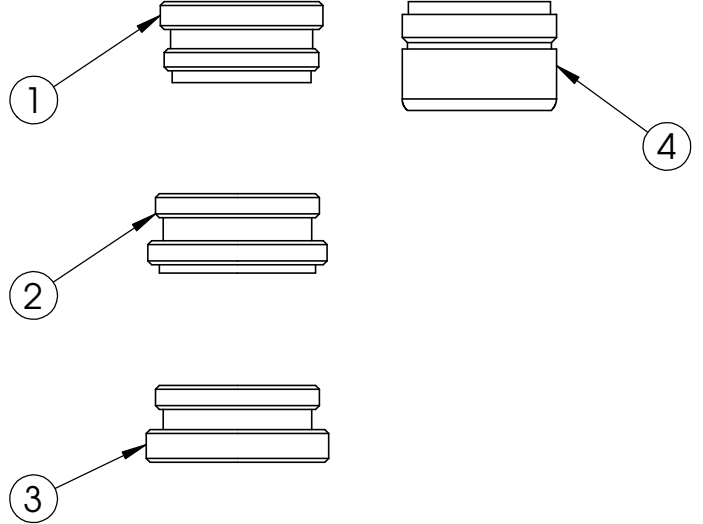
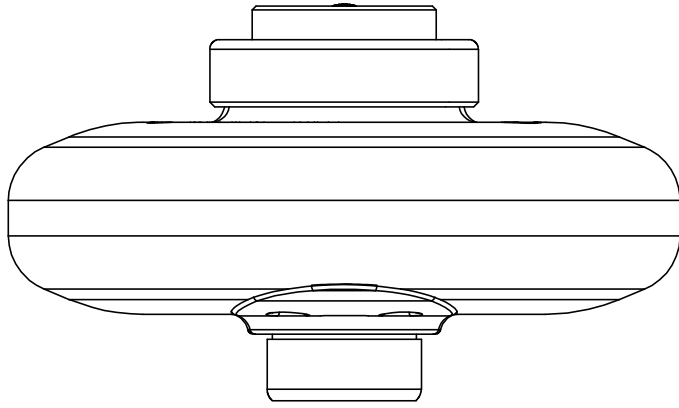
ROTATE HEAD IN EITHER DIRECTION



EYEWASH MODE

PARTS BREAKDOWN

ITEM	PART NU.	DESCRIPTION
1	0000001717	13/16-27M x 55/64-27M adaptor
2	0000001715	15/16-27M x 55/64-27M adaptor
3	0000001719	13/16-24F x 55/64-27M adaptor
4	0000087801	Faucet nozzle



PARTS BREAKDOWN

WHEN ORDERING PARTS PLEASE SPECIFY YOUR MODEL NUMBER



T +41 (0)34 420 60 00
F +41 (0)34 420 60 01
BACHWEG 3
CH3401 BURGENDORF
SWITZERLAND
www.haws.ch
info@haws.ch

TITLE
7620 Axion
Eye Wash

APPROVALS	DATE
DRAWN Ralph Streit	01.03.2012
CHECKED Ralph Streit	01.03.2012
REVISED	02.03.2012

MATERIAL

ZONE	REV	DESCRIPTION	ECN	DATE	BY
REVISIONS					

THIS DOCUMENT AND THE DATA DISCLOSED HEREIN OR HEREWITH IS NOT TO BE REPRODUCED, USED, OR DISCLOSED IN WHOLE OR IN PART TO ANYONE WITHOUT THE PERMISSION OF HAWS CORPORATION.

SIZE	DRAW NO.	REV.
A4	2080031	