



8901 AXION EYE/FACE WASH Hand-held hose

- ✓ 1/2"G
- 1,8 kg
- No
- S CH
- Z Z535.1

- **Hand-held hose**
- AXION MSR™ eye / facewash head (SP65/1)
- Single hand valve for double head/hose spray unit (SP247)
- 250 psi hose with a chrome-plated swivel fitting (SP140)
- Eye wash sign (SP175)
- Test tag (SP170)
- Wall bracket ABS black to 8901 (SP133)
- Stainless steel push flag with stay open ball valve (SP229)
- Axion flow control 4.2 GAL / 15.9 lt (SP37.6)

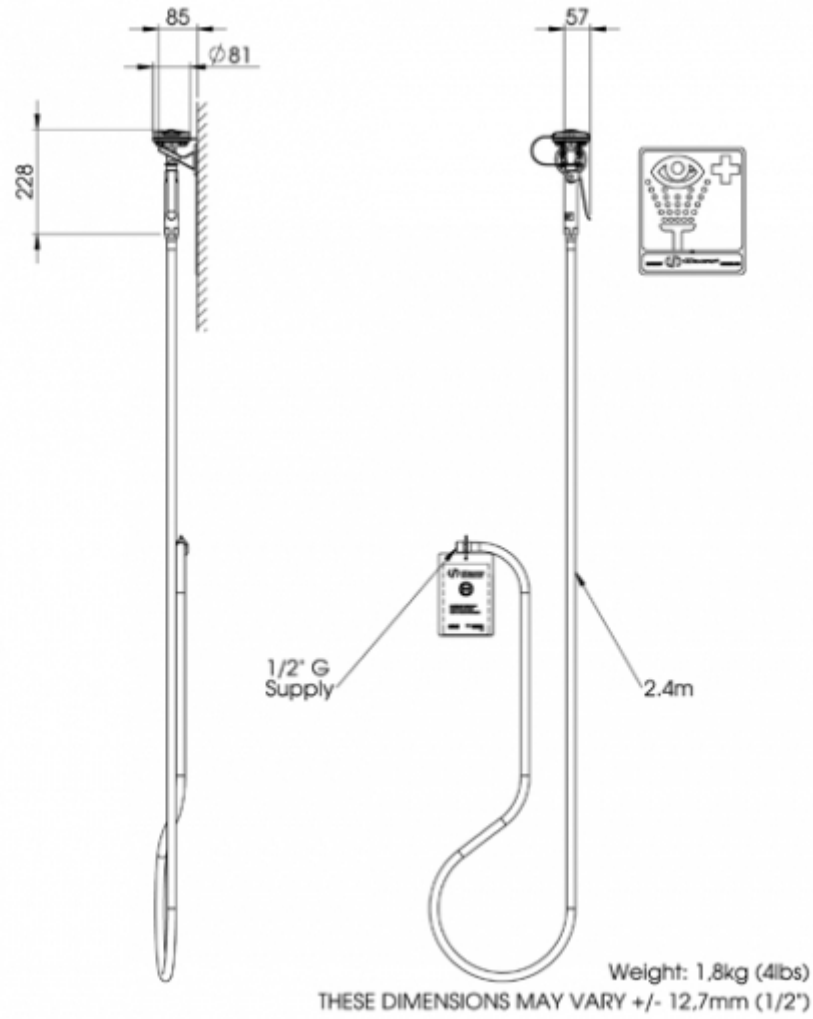


PNR UK Ltd

28a Harris Business Park, Stoke Prior, Bromsgrove, B60 4DJ
www.pnr.co.uk | spraynozzles@pnr.co.uk | +44(0)1527 579 066

Co. Reg. 2306776

V.A.T. Reg. No. 488 0643 16

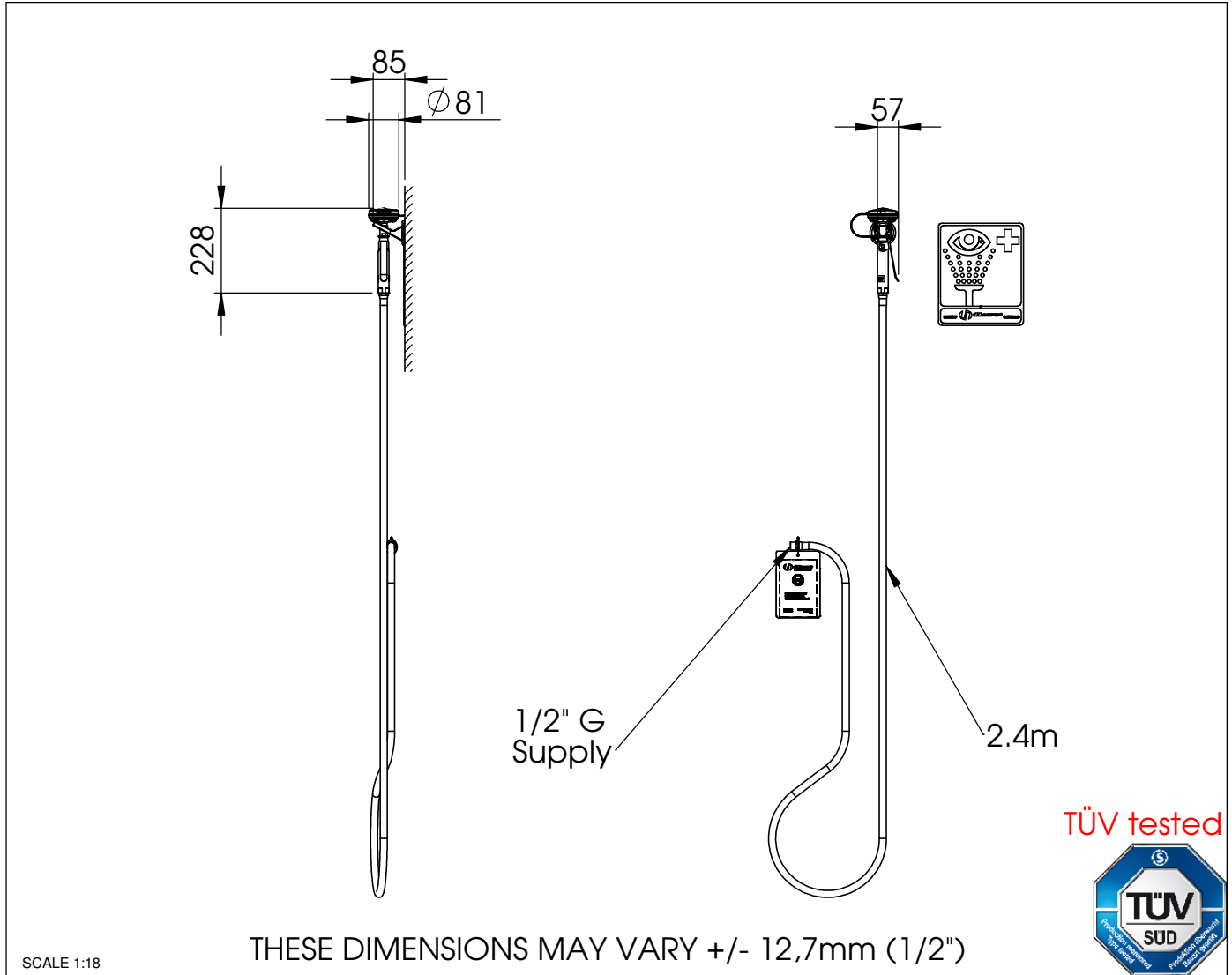


PNR UK Ltd

28a Harris Business Park, Stoke Prior, Bromsgrove, B60 4DJ
www.pnr.co.uk | spraynozzles@pnr.co.uk | +44(0)1527 579 066
Co. Reg. 2306776 V.A.T. Reg. No. 488 0643 16

Model 8901B Axion Eye/Face Wash and Body Spray No.2080191/3

NOTE TO INSTALLER: please leave this information with the maintenance department.



Free access to the eye/facewash & body spray 8901B Axion must be guaranteed at all times.
The operator is responsible for the observance of this requirement.



Model **8901B Axion** Eye/Face Wash and Body Spray No.2080191/3

Shower location: The eye/facewash & body spray 8901B Axion must be installed in the vicinity of potential danger zones. It must be highly visible and easily accessible.

Connection conduit: You are recommended to use a 1/2" G conduit, capable of withstanding pressures of 2 - 6BAR (30 - 90PSI). The use of an inlet filter designed to prevent the entry of suspended particles and other impurities is also recommended.

Water quality: Eye/facewash & body spray require a supply of drinking water conforming to European standards or their equivalents in other countries.

Water temperature: The required water temperature should be determined by the user. The accepted ideal range is 15 - 35°C / 60 - 95°F (but please ensure conformity with local regulations).

Volum flow: A minimum flow rate of 6 litres / 1,6 US gallons per minute must be maintained. The eye/facewash & body spray must be capable of delivering this amount of water for at least 15 minutes.

Connection to plumbing system: The inlet consists of a 1/2" G male-threaded conduit.

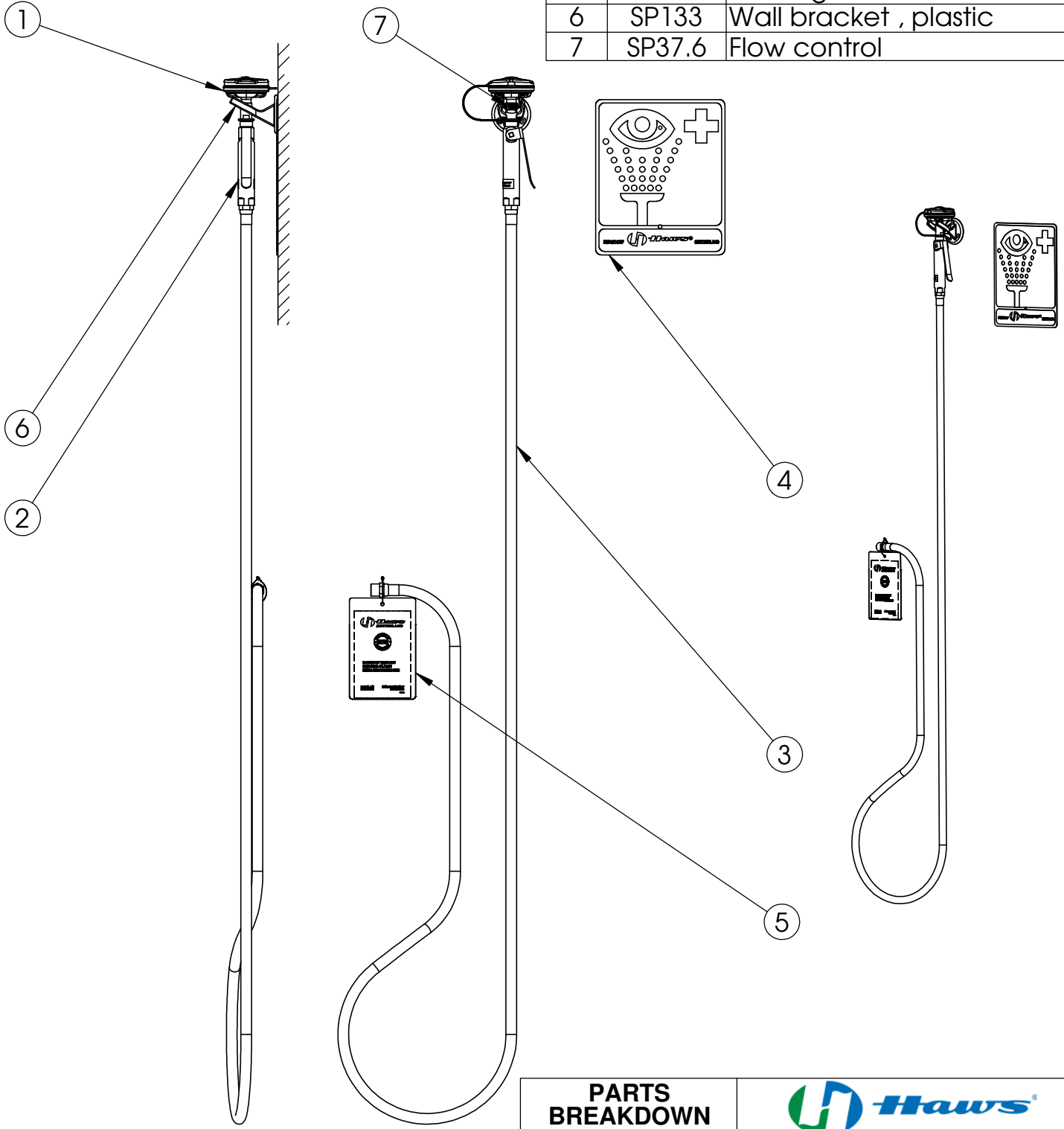
Regular inspection:

The eye/facewash & body spray 8901B Axion should be inspected at weekly intervals. The inspection tag should be dated and signed after each check.

TROUBLESHOOTING	
Problem	Repair-checklist
1. No flow	Check the main shutoff valve.
2. Insufficient flow of water	<ol style="list-style-type: none">1. Check the line pressure. This should be at least 2BAR / 30PSI (dynamic).2. Blocked flow, possibly due to the conduit not being correctly flushed out. Dismantle the spray element, and clean the rubber flow-regulator.

PARTS BREAKDOWN

ITEM	PART NU.	DESCRIPTION
1	SP65/1	Axion eye/face wash head
2	SP247	Valve assembly
3	SP140	Hose assembly
4	SP175	Eye wash sign
5	SP170	Test tag
6	SP133	Wall bracket , plastic
7	SP37.6	Flow control



TÜV tested



PARTS BREAKDOWN			
WHEN ORDERING PARTS PLEASE SPECIFY YOUR MODEL NUMBER		T +41 (0)34 420 60 00 F +41 (0)34 420 60 01	BACHWEG 3 CH3401 BURG DORF SWITZERLAND www.haws.ch info@haws.ch
APPROVALS		TITLE	
DRAWN Jeannine Ruf		8901B Axion	
CHECKED Jeannine Ruf		Eye/Face Wash and Body Spray	
REVISED		MATERIAL	
DATE		SIZE PART NO.	
03.03.2011		A4 2080191/3	
12.10.2011		REV.	
DRAW-NO.		SCALE 1:10	
ECN NO.		SHEET 4 OF 4	

ZONE	REV	DESCRIPTION	ECN	DATE	BY
REVISIONS					
THIS DOCUMENT AND THE DATA DISCLOSED HEREIN OR HERewith IS NOT TO BE REPRODUCED, USED, OR DISCLOSED IN WHOLE OR IN PART TO ANYONE WITHOUT THE PERMISSION OF HAWS CORPORATION.					