



7610 AXION

EYE / FACE WASH STATION

Sink / countertop

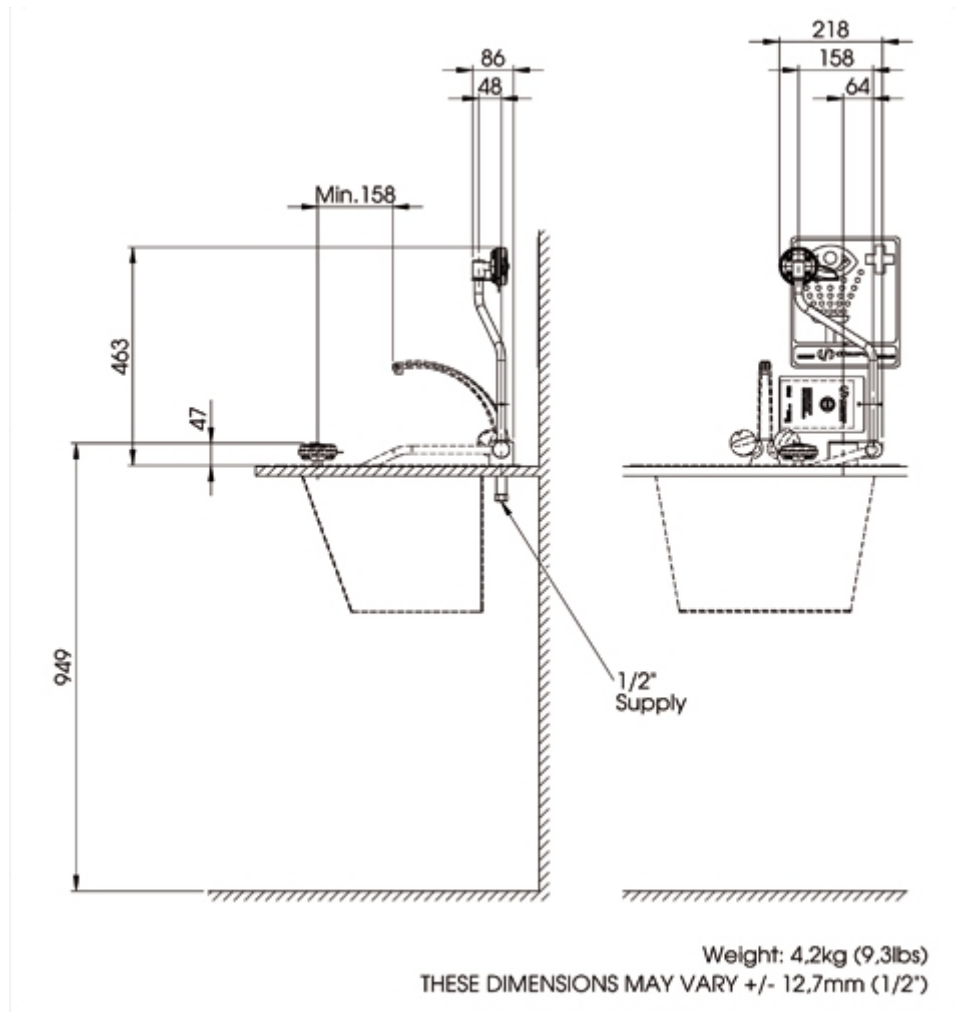
- ✓ 1/2" O.D. slipjoint
- 📦 4,2 kg
- ♿ No
- 🇺🇸 US
- 🇩🇪 Z358.1

- **Sink or countertop fitted**
- AXION MSR™ eye / facewash head (SP65)
- Eye wash sign (SP175)
- Test tag (SP170)
- Axion flow control (SP37.5)
- VRK7650 Repair kit for 7650



PNR UK Ltd

28a Harris Business Park, Stoke Prior, Bromsgrove, B60 4DJ
www.pnr.co.uk | spraynozzles@pnr.co.uk | +44(0)1527 579 066
Co. Reg. 2306776 V.A.T. Reg. No. 488 0643 16



PNR UK Ltd

28a Harris Business Park, Stoke Prior, Bromsgrove, B60 4DJ

www.pnr.co.uk | spraynozzles@pnr.co.uk | +44(0)1527 579 066

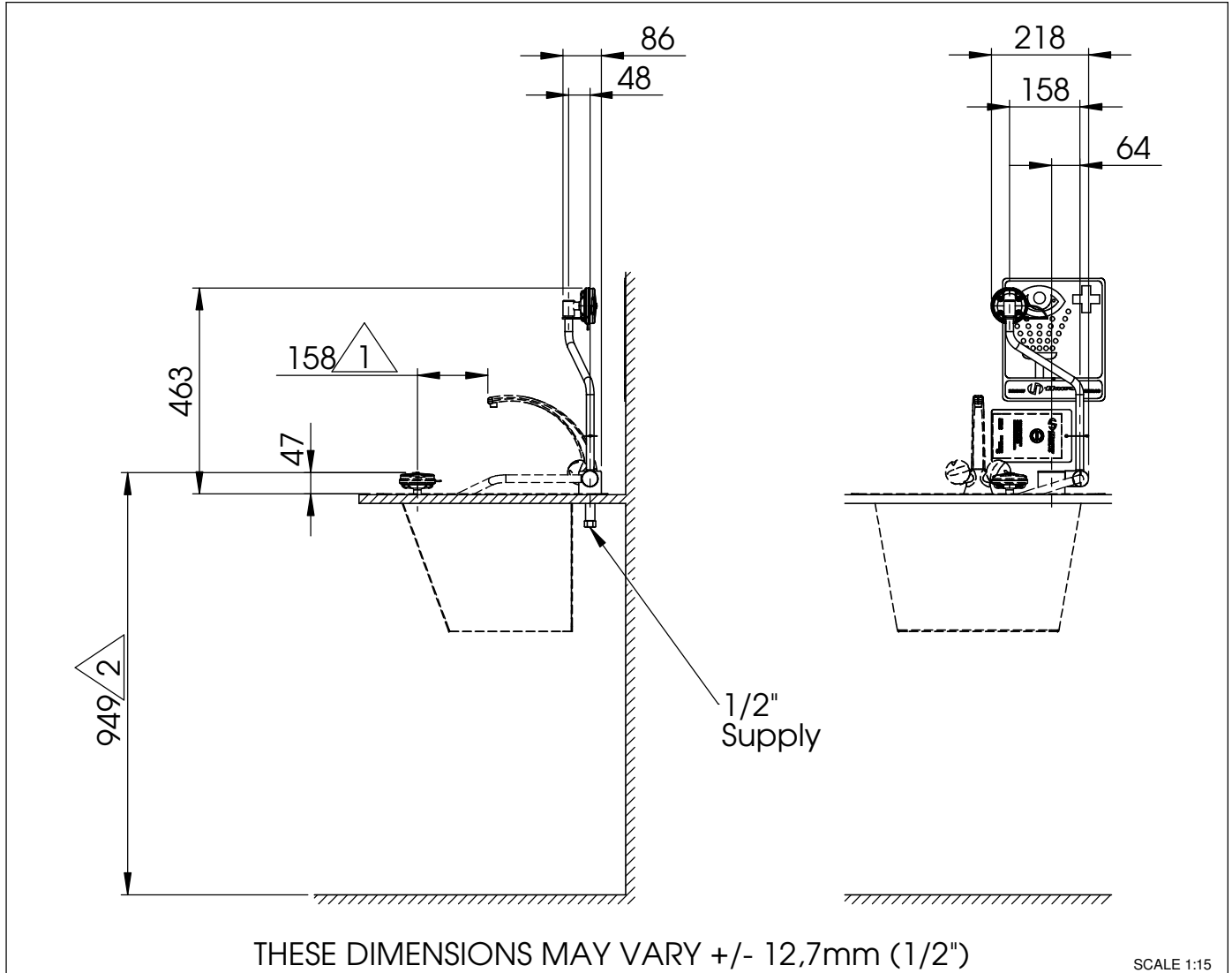
Co. Reg. 2306776

V.A.T. Reg. No. 488 0643 16

Model 7610 Axion Eye/Face Wash

No.2080067/2

NOTE TO INSTALLER: please leave this information with the maintenance department.


Legally-stipulated dimensions:

- ① Ensure that there is a minimum clearance of 150mm (6") with respect to the nearest wall or obstacle.
- ② Height above floor level: 800mm - 1200mm (2' 7 1/2" - 3' 11 1/4").

Free access to the eywash station 7610 Axion must be guaranteed all times. The operator is responsible for the observance of this requirement.



Model 7610 Axion Eye/Face Wash

No.2080067/2

Shower location: The eyewash station 7610 Axion must be installed in the vicinity of potential danger zones. It must be highly visible and easily accessible.

Connection conduit: You are recommended to use a 1/2" G conduit, capable of withstanding pressures of 2 - 6 BAR (30 - 90 PSI). The use of an inlet filter designed to prevent the entry of suspended particles and other impurities is also recommended.

Water quality: Eyewash stations require a supply of drinking water conforming to European standards or their equivalents in other countries.

Water temperature: The required water temperature should be determined by the user. The accepted ideal range is 15 - 35°C / 60 -95°F (but please ensure conformity with local regulations).

Volume flow: A minimum flow rate of 6 litres / 1,6 US gallons per minute must be maintained. The eyewash station must be capable of delivering this amount of water for at least 15 minutes.

Connection to plumbing system: The inlet consists of a 1/2" G conduit with female-thread adapter.

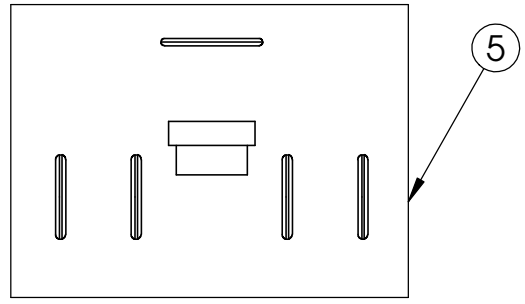
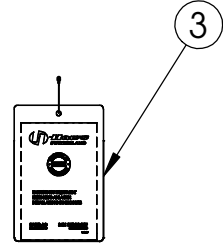
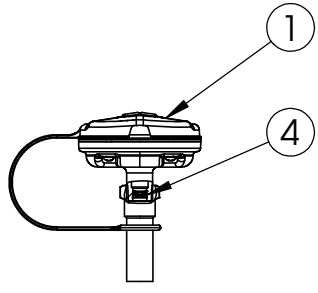
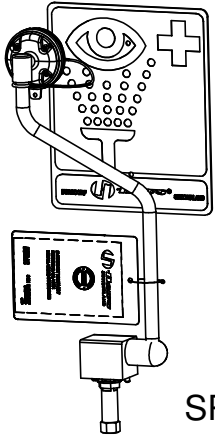
Regular inspection:

The eyewash station 7610 Axion should be inspected at weekly intervals. The inspection tag should be dated and signed after each check.

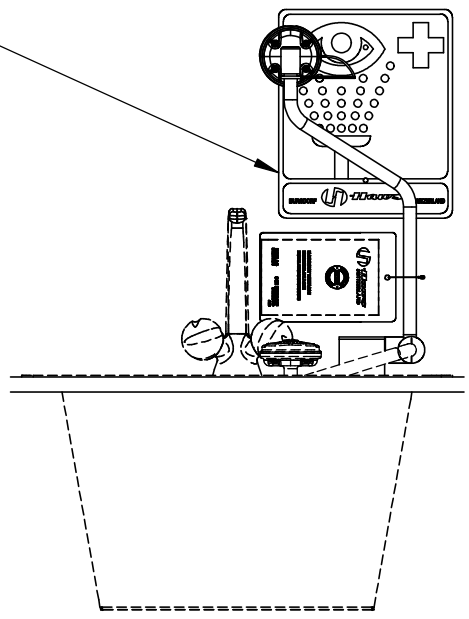
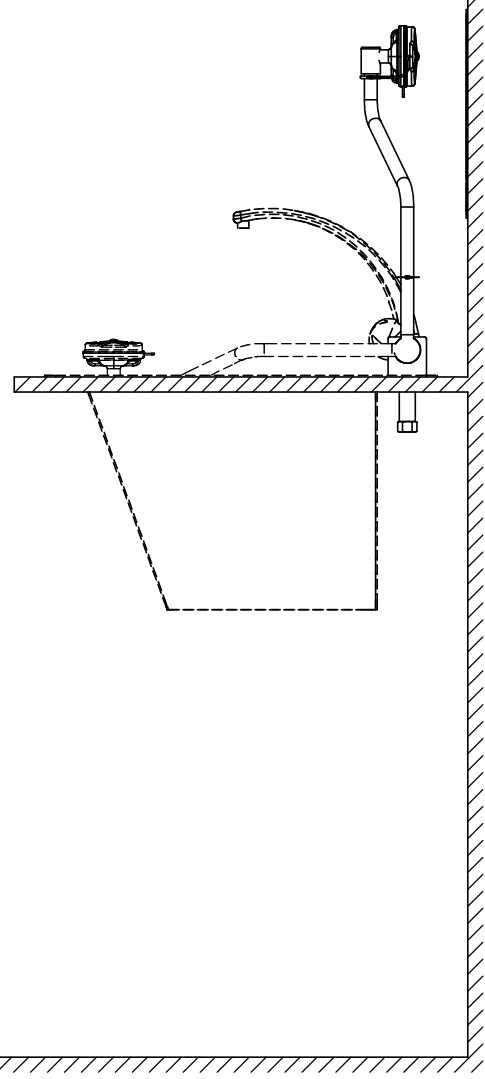
TROUBLESHOOTING	
Problem	Repair-checklist
1. No flow	Check the main shutoff valve.
2. Insufficient flow of water	<ol style="list-style-type: none"> 1. Check the line pressure. This should be at least 2 BAR / 30 PSI (dynamic). 2. Blocked flow, possibly due to the conduit not being correctly flushed out. Dismantle the T-piece, and clean the rubber flow-regulator.
3. Flow rate is not as specified	The flow conduit may be blocked (for remedy see above). The eyewash station may not have been set up correctly.
4. Water does not discharge correctly	Check the building's main drainage outlet. Note that it must have adequate capacity to handle the entire drainage system.


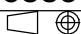
PARTS BREAKDOWN

ITEM	PART NU.	DESCRIPTION
1	SP65	Axion eye/face wash head
2	SP175	Eye wash sign
3	SP170	Test tag
4	SP37.5	Flow control
5	VRK7650	Repair kit for 7650



SP65 EYE WASH ASSEMBLY



PARTS BREAKDOWN WHEN ORDERING PARTS PLEASE SPECIFY YOUR MODEL NUMBER			
		T +41 (0)34 420 60 00 F +41 (0)34 420 60 01	BACHWEG 3 CH3401 BURG DORF SWITZERLAND
APPROVALS DATE		TITLE 7610 Axion Eye/Face Wash	
DRAWN Jeannine Ruf 30.06.2011		MATERIAL	
CHECKED Jeannine Ruf 30.06.2011			
REVISED Jeannine Ruf 23.04.2012		SIZE PART NO. REV. A4 2080067/2	
ECN NO.		SCALE 1:10  SHEET 1 OF 1	

ZONE	REV	DESCRIPTION	ECN	DATE	BY
REVISIONS					
THIS DOCUMENT AND THE DATA DISCLOSED HEREIN OR HEREWITH IS NOT TO BE REPRODUCED, USED, OR DISCLOSED IN WHOLE OR IN PART TO ANYONE WITHOUT THE PERMISSION OF HAWS CORPORATION.					