



7260B AXION MSR™ EYE / FACE WASH STATION Wall mounted

- ✓ 1/2"G
- ^ 1"G
- 3, 1 kg
- No
- CH
- Z535.1

- Wall mounted
- AXION MSR™ eye / facewash head (SP65)
- 11" catch basin made of **ABS plastic** (SP93)
- Strainer (SP509)
- Aluminium wall bracket (SP80)
- stainless steel push flag with stay open ball valve (SP229)
- Eye wash sign (SP175)
- Test tag (SP170)
- Axion flow control (SP37.5)



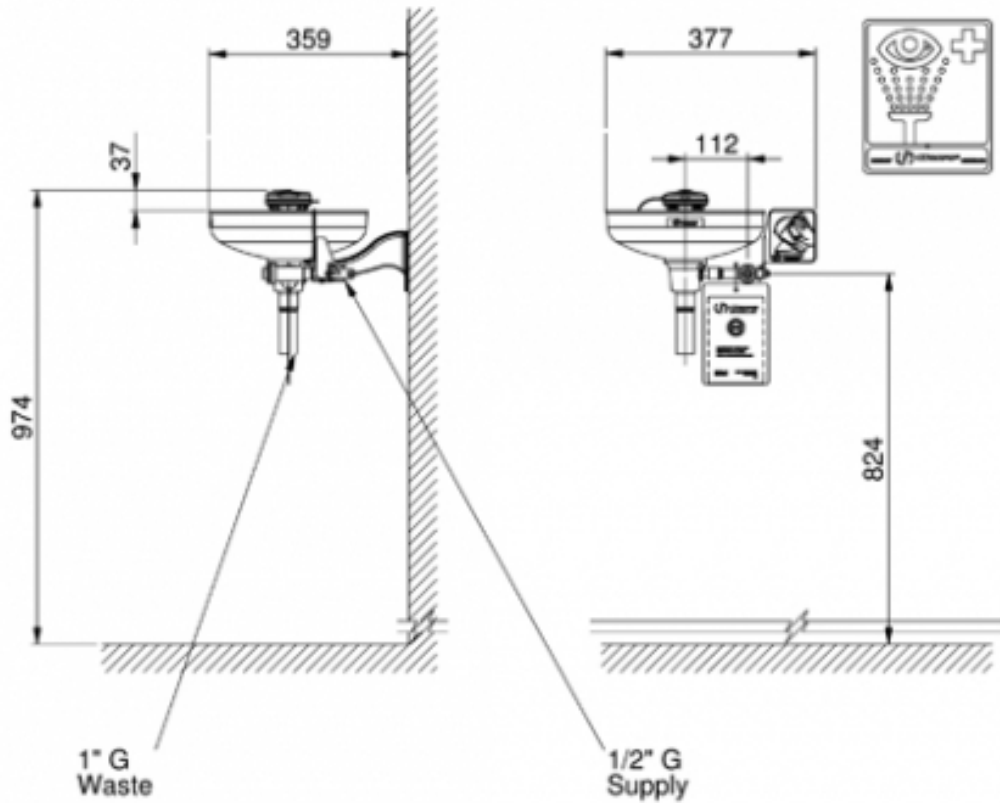
PNR UK Ltd

28a Harris Business Park, Stoke Prior, Bromsgrove, B60 4DJ

www.pnr.co.uk | spraynozzles@pnr.co.uk | +44(0)1527 579 066

Co. Reg. 2306776

V.A.T. Reg. No. 488 0643 16



Weight 3,1kg (6,8lbs)

THESE DIMENSIONS MAY VARY +/- 12,7mm (1/2")

PNR UK Ltd

28a Harris Business Park, Stoke Prior, Bromsgrove, B60 4DJ

www.pnr.co.uk | spraynozzles@pnr.co.uk | +44(0)1527 579 066

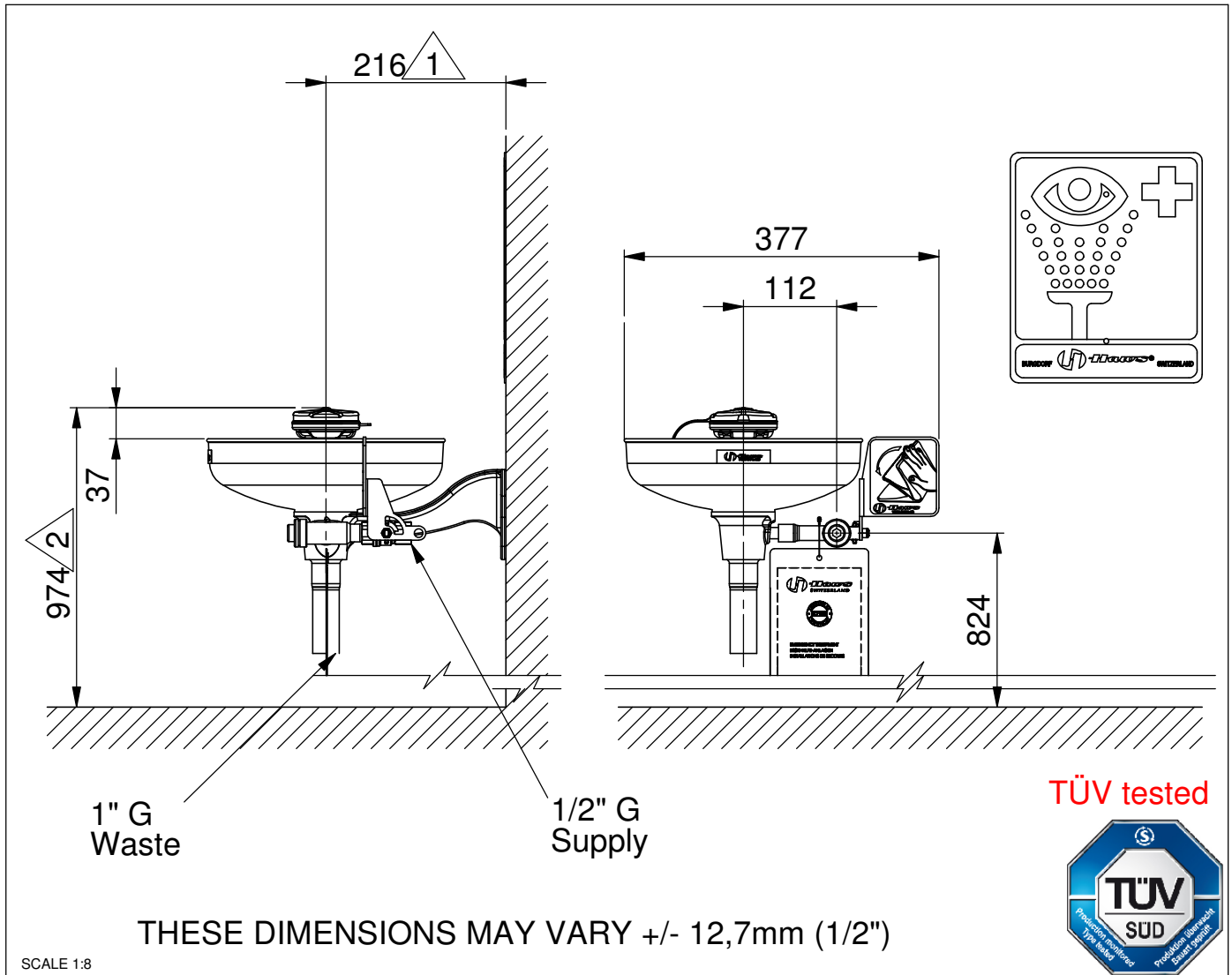
Co. Reg. 2306776



V.A.T. Reg. No. 488 0643 16

Model 7260B Axion Eye Wash

No.2080038/1

NOTE TO INSTALLER: please leave this information with the maintenance department.


Legally-stipulated dimensions:

-  Ensure that there is a minimum clearance of 150mm (6") with respect to the nearest wall or obstacle.
-  Height above floor level: 800mm - 1200mm (2' 7 1/2" - 3' 11 1/4").

Free access to the eyewash station 7260B Axion must be guaranteed all times. The operator is responsible for the observance of this requirement.



Model 7260B Axion Eye Wash

No.2080038/1

Shower location: The eyewash station 7260B Axion must be installed in the vicinity of potential danger zones. It must be highly visible and easily accessible.

Connection conduit: You are recommended to use a 1/2" G conduit, capable of withstanding pressures of 2 - 6 BAR (30 - 90 PSI). The use of an inlet filter designed to prevent the entry of suspended particles and other impurities is also recommended.

Water quality: Eyewash stations require a supply of drinking water conforming to European standards or their equivalents in other countries.

Water temperature: The required water temperature should be determined by the user. The accepted ideal range is 15 - 35°C / 60 -95°F (but please ensure conformity with local regulations).

Volume flow: A minimum flow rate of 6 litres / 1,6 US gallons per minute must be maintained. The eyewash station must be capable of delivering this amount of water for at least 15 minutes.

Connection to plumbing system: The inlet consists of a 1/2" G conduit with female-thread adapter, while the outlet is a 1" G threaded conduit.

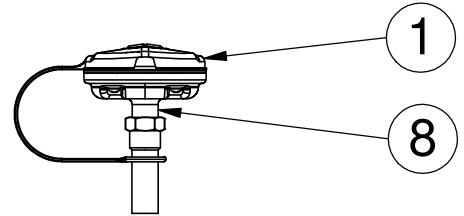
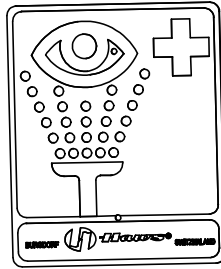
Regular inspection:

The eyewash station 7260B Axion should be inspected at weekly intervals. The inspection tag should be dated and signed after each check.

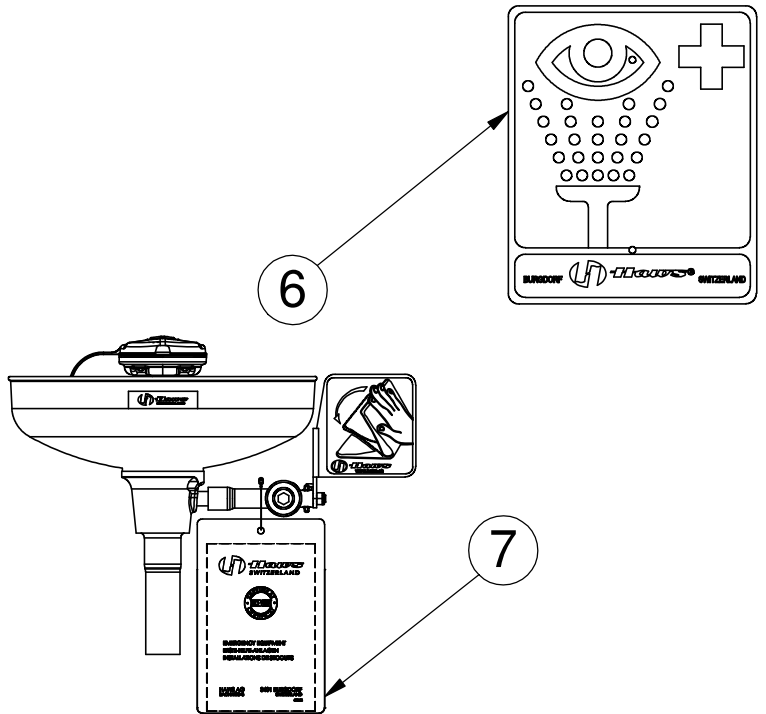
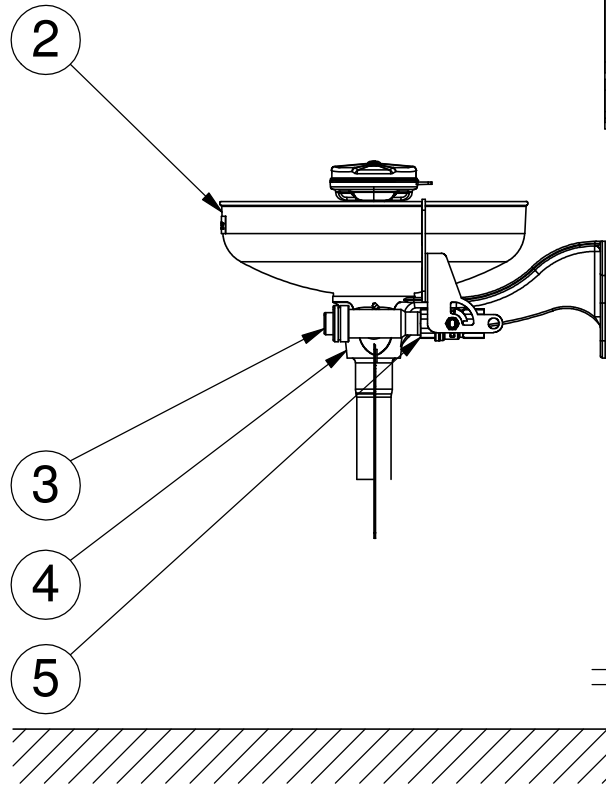
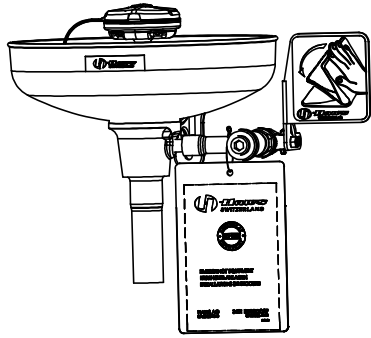
| TROUBLESHOOTING | |
|---------------------------------------|--|
| Problem | Repair-checklist |
| 1. No flow | Check the main shutoff valve. |
| 2. Insufficient flow of water | 1. Check the line pressure. This should be at least 2 BAR / 30 PSI (dynamic). 2. Blocked flow, possibly due to the conduit not being correctly flushed out. Dismantle the T-piece, and clean the rubber flow-regulator. |
| 3. Flow rate is not as specified | The flow conduit may be blocked (for remedy see above). The eyewash station may not have been set up correctly. |
| 4. Water does not discharge correctly | Check the building's main drainage outlet. Note that it must have adequate capacity to handle the entire drainage system. |

PARTS BREAKDOWN

| ITEM | PART NU. | DESCRIPTION |
|------|----------|--------------------------|
| 1 | SP65 | Axion eye/face wash head |
| 2 | SP93 | Bowl |
| 3 | SP509 | Strainer |
| 4 | SP80 | Bracket |
| 5 | SP229 | Valve assembly |
| 6 | SP175 | Eye wash sign |
| 7 | SP170 | Test tag |
| 8 | SP37.5 | Flow control |




SP65 EYE WASH ASSEMBLY



TÜV tested



| PARTS BREAKDOWN | |  | |
|---|--|---|--|
| WHEN ORDERING PARTS PLEASE SPECIFY YOUR MODEL NUMBER | | T +41 (0)34 420 60 00 F +41 (0)34 420 60 01 | BACHWEG 3 CH3401 BURGENDORF SWITZERLAND www.haws.ch info@haws.ch |
| APPROVALS DATE | | TITLE 7260B Axion Eye Wash | |
| DRAWN Jeannine Ruf 28.04.2010 | | MATERIAL | |
| CHECKED Ralph Streit 31.03.2011 | | SIZE PART NO. REV. A4 2080038/1 | |
| REVISED 13.09.2011 | | SCALE 1:7 SHEET 4 OF 4 | |
| DRAW-NO. | | ECN NO. | |

| ZONE | REV | DESCRIPTION | ECN | DATE | BY |
|---|-----|-------------|-----|------|----|
| REVISIONS | | | | | |
| THIS DOCUMENT AND THE DATA DISCLOSED HEREIN OR HEREWITH IS NOT TO BE REPRODUCED, USED, OR DISCLOSED IN WHOLE OR IN PART TO ANYONE WITHOUT THE PERMISSION OF HAWS CORPORATION. | | | | | |