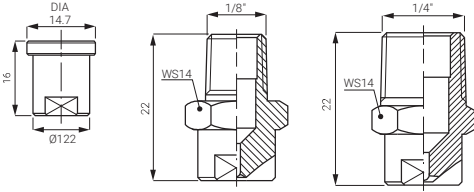


F (FLAT FAN NOZZLES / HIGH PRESSURE WASHING)



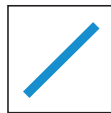
HIGH PRESSURE WASHING

Flat fan nozzles F series are designed for high-pressure washing applications. Their specially designed inner profile allows for even jet distribution, which results in effective and uniform cleaning action over the surface being processed. All nozzles are precisely machined and made of hardened stainless steel AISI 416.

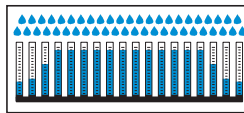


FX Flanged nozzle
FA High pressure nozzle (1/8")
FB High pressure nozzle (1/4")

THREAD SPECIFICATION: BSPT, NPT
 TYPICAL APPLICATIONS
 Car washing
 High pressure washers
 Industrial cleaning



Spray section



Even distribution

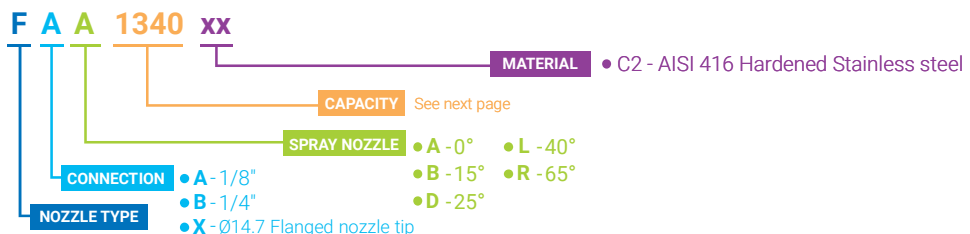


| Nozzle type | Thread size |
|-------------|-----------------|
| FA - FG | 1/8" BSPT - NPT |
| FB - FH | 1/4" BSPT - NPT |
| FX | Ø14.7 |

| 0° | | 15° | | 25° | | 40° | | 65° | | US GALS | PNR CODE | Capacity at different pressure values (l/min) (bar) | | | | | | | | | |
|-----|-----|-----|-----|-----|-----|-----|-----|-----|-----|---------|----------|---|------|------|------|------|------|------|----|----|-----|
| FAA | FBA | FXA | FAB | FBB | FXB | FAD | FBD | FXD | FAL | | | FBL | FXL | FAR | FBR | FXR | 20 | 30 | 50 | 70 | 100 |
| • | • | • | • | • | • | • | • | • | • | 015 | 1340 | 1.52 | 1.86 | 2.40 | 2.84 | 3.40 | 4.16 | 4.81 | | | |
| • | • | • | • | • | • | • | • | • | • | 02 | 1460 | 2.06 | 2.52 | 3.25 | 3.85 | 4.60 | 5.63 | 6.51 | | | |
| • | • | • | • | • | • | • | • | • | • | 025 | 1560 | 2.50 | 3.07 | 3.96 | 4.69 | 5.60 | 6.86 | 7.92 | | | |
| • | • | • | • | • | • | • | • | • | • | 03 | 1686 | 3.07 | 3.76 | 4.85 | 5.74 | 6.86 | 8.40 | 9.70 | | | |
| • | • | • | • | • | • | • | • | • | • | 035 | 1812 | 3.63 | 4.45 | 5.74 | 6.79 | 8.12 | 9.94 | 11.5 | | | |
| • | • | • | • | • | • | • | • | • | • | 04 | 1930 | 4.16 | 5.09 | 6.58 | 7.78 | 9.30 | 11.4 | 13.2 | | | |
| • | • | • | • | • | • | • | • | • | • | 045 | 2103 | 4.61 | 5.64 | 7.28 | 8.62 | 10.3 | 12.6 | 14.6 | | | |
| • | • | • | • | • | • | • | • | • | • | 05 | 2116 | 5.19 | 6.35 | 8.20 | 9.71 | 11.6 | 14.2 | 16.4 | | | |
| • | • | • | • | • | • | • | • | • | • | 055 | 2126 | 5.63 | 6.90 | 8.91 | 10.5 | 12.6 | 15.4 | 17.8 | | | |
| • | • | • | • | • | • | • | • | • | • | 06 | 2138 | 6.17 | 7.56 | 9.76 | 11.5 | 13.8 | 16.9 | 19.5 | | | |
| • | • | • | • | • | • | • | • | • | • | 065 | 2149 | 6.66 | 8.16 | 10.5 | 12.5 | 14.9 | 18.2 | 21.1 | | | |
| • | • | • | • | • | • | • | • | • | • | 07 | 2160 | 7.16 | 8.76 | 11.3 | 13.4 | 16.0 | 19.6 | 22.6 | | | |
| • | • | • | • | • | • | • | • | • | • | 075 | 2170 | 7.60 | 9.31 | 12.0 | 14.2 | 17.0 | 20.8 | 24.0 | | | |
| • | • | • | • | • | • | • | • | • | • | 08 | 2181 | 8.09 | 9.91 | 12.8 | 15.1 | 18.1 | 22.2 | 25.6 | | | |
| • | • | • | • | • | • | • | • | • | • | 085 | 2192 | 8.59 | 10.5 | 13.6 | 16.1 | 19.2 | 23.5 | 27.2 | | | |
| • | • | • | • | • | • | • | • | • | • | 09 | 2204 | 9.12 | 11.2 | 14.4 | 17.1 | 20.4 | 25.0 | 28.8 | | | |
| • | • | • | • | • | • | • | • | • | • | 095 | 2226 | 10.1 | 12.4 | 16.0 | 18.9 | 22.6 | 27.7 | 32.0 | | | |
| • | • | • | • | • | • | • | • | • | • | 10 | 2230 | 10.3 | 12.6 | 16.3 | 19.2 | 23.0 | 28.2 | 32.5 | | | |
| • | • | • | • | • | • | • | • | • | • | 11 | 2248 | 11.1 | 13.6 | 17.5 | 20.7 | 24.8 | 30.4 | 35.1 | | | |
| • | • | • | • | • | • | • | • | • | • | 12 | 2272 | 12.2 | 14.9 | 19.2 | 22.8 | 27.2 | 33.3 | 38.5 | | | |
| • | • | • | • | • | • | • | • | • | • | 12.5 | 2280 | 12.5 | 15.3 | 19.8 | 23.4 | 28.0 | 34.3 | 39.6 | | | |
| • | • | • | • | • | • | • | • | • | • | 13 | 2296 | 13.2 | 16.2 | 20.9 | 24.8 | 29.6 | 36.3 | 41.9 | | | |
| • | • | • | • | • | • | • | • | • | • | 14 | 2320 | 14.3 | 17.5 | 22.6 | 26.8 | 32.0 | 39.2 | 45.3 | | | |
| • | • | • | • | • | • | • | • | • | • | 15 | 2341 | 15.2 | 18.7 | 24.1 | 28.5 | 34.1 | 41.8 | 48.2 | | | |
| • | • | • | • | • | • | • | • | • | • | 16 | 2360 | 16.1 | 19.7 | 25.5 | 30.1 | 36.0 | 44.1 | 50.9 | | | |
| • | • | • | • | • | • | • | • | • | • | 18 | 2410 | 18.3 | 22.5 | 29.0 | 34.3 | 41.0 | 50.2 | 58.0 | | | |
| • | • | • | • | • | • | • | • | • | • | 20 | 2456 | 20.4 | 25.0 | 32.2 | 38.2 | 45.6 | 55.8 | 64.5 | | | |
| • | • | • | • | • | • | • | • | • | • | 25 | 2567 | 25.4 | 31.1 | 40.1 | 47.4 | 56.7 | 69.4 | 80.2 | | | |
| • | • | • | • | • | • | • | • | • | • | 30 | 2682 | 30.5 | 37.4 | 48.2 | 57.1 | 68.2 | 83.5 | 96.4 | | | |
| • | • | • | • | • | • | • | • | • | • | 35 | 2800 | 35.8 | 43.8 | 56.6 | 66.9 | 80.0 | 98.0 | 113 | | | |
| • | • | • | • | • | • | • | • | • | • | 40 | 2910 | 40.7 | 49.8 | 64.3 | 76.1 | 91.0 | 111 | 128 | | | |
| • | • | • | • | • | • | • | • | • | • | 50 | 3113 | 50.5 | 61.9 | 79.9 | 94.5 | 113 | 138 | 160 | | | |
| • | • | • | • | • | • | • | • | • | • | 60 | 3135 | 60.4 | 73.9 | 95.5 | 113 | 135 | 165 | 191 | | | |

HOW TO MAKE UP THE NOZZLE CODE

Ex.: FAA 1340 C2



(FLAT FAN NOZZLES / HIGH PRESSURE WASHING) F

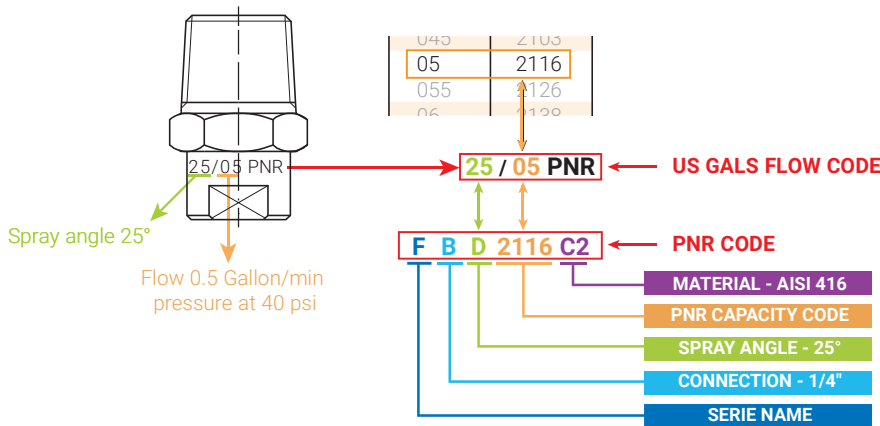
OUTER DIMENSION OF F TYPE NOZZLES AND FX NOZZLE TIPS (CODE)

The table on the right shows the correspondence between the nominal capacity in US Gallons per minute at 40 psi, which is commonly used to identify high pressure washing nozzles and the PNR capacity code at 100 bar. For the convenience of worldwide use, all nozzles are US coding system.

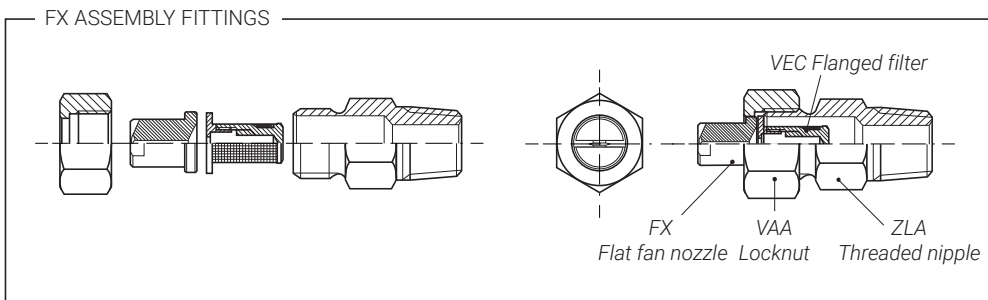
For example:

FBA 1686 C2 (PNR code) nozzle will be codified as **00/03** (US Gallons) with a spray angle 0° and capacity 0.3 Gals/min at a pressure of 40 psi.

FBD 2116 C2 (PNR code) nozzle will be codified as **25/05** (US Gallons) with a spray angle 25° and capacity 0.5 Gals/min at a pressure of 40 psi. (see below)



| US GALLONS | PNR CODE |
|------------|----------|
| 015 | 1340 |
| 02 | 1460 |
| 025 | 1560 |
| 03 | 1686 |
| 035 | 1812 |
| 04 | 1930 |
| 045 | 2103 |
| 05 | 2116 |
| 055 | 2126 |
| 06 | 2138 |
| 065 | 2149 |
| 07 | 2160 |
| 075 | 2170 |
| 08 | 2181 |
| 085 | 2192 |
| 09 | 2204 |
| 095 | 2220 |
| 10 | 2230 |
| 11 | 2248 |
| 12 | 2272 |
| 12.5 | 2280 |
| 13 | 2296 |
| 14 | 2320 |
| 15 | 2341 |
| 16 | 2360 |
| 18 | 2410 |
| 20 | 2456 |
| 25 | 2567 |
| 30 | 2682 |
| 35 | 2800 |
| 40 | 2910 |
| 50 | 3113 |
| 60 | 3135 |



HIGH PRESSURE WASHING ACCESSORIES

We have all kinds of washing guns (low/medium/high/superhigh pressure) and accessories for various washing applications and environments. We will help you to chose the best solution for your needs.



UMW 0010 D4
High pressure gun
P. 97



UMW 0020 D4
High pressure gun
P. 97



UMW 0030 B3
High pressure lance
P. 98



UMW 0045 B3
High pressure lance
P. 98



UMU J/I
Auto-rewind reel
P. 102

OPTIONAL ELEMENT- FLOW STRAIGHTENER

Flow straighteners improve spray jet efficiency by straightening the liquid path to minimize turbulence and produce swirl-free, even, stable and straight-run flows. All PNR nozzles are ready to embed a flow straightener. These items can be supplied separately on request.

